

### HG5070 Series

HG5075 series with through hole 50mm , OD75mm , suitable for rotating application which requires a through hole  $\leq 50$ mm

Standard model supports 1-3 power rings(0-12A/ring) or 1-5 signal rings(0~5A/ring)



### Features

- ◆ Multi-point brush contact material ensure long life
- ◆ Integrated structure design for easy installation
- ◆ Standard model supports 1-3 power rings(0-12A/ring) or 1-5 signal rings(0~5A/ring)
- ◆ IP 51 (IP54-IP68 can be customized)
- ◆ Both the data bus agreement compatible
- ◆ Free maintenance

### Typical application

- ◆ Automatic machines
- ◆ Cable reels
- ◆ Robotics, rotary sensors, urgent illumination equipment
- ◆ Exhibit / display equipment
- ◆ Packaging
- ◆ Rotary table
- ◆ Medical, Pharmaceutical equipment
- ◆ Converting machines
- ◆ Capping machines
- ◆ Labeling machines
- ◆ Filling machine
- ◆ Machine tools

### Options

- ◆ Optional for underwater IP65, IP68 Operation speed, current & voltage
- ◆ No. of rings
- ◆ Connector
- ◆ Housing material
- ◆ Position of wire outlet, wire length
- ◆ Protection level (dust and water)
- ◆ Flange mounting is optional
- ◆ Operating temperature
- ◆ Support mixed high speed data transmission(including Ethernet, USB, Profibus, Ethercat, CANOPEN, CANBUS, RS232, RS485, etc.)
- ◆ Fluidic rotary joints, FORJ and electric slip ring can be mixed.

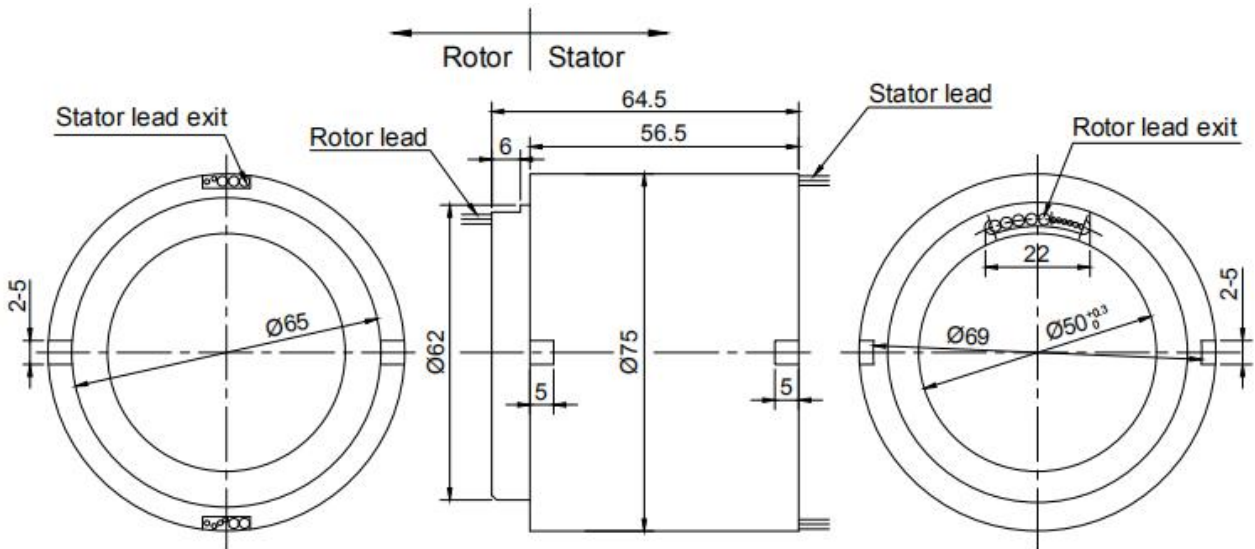
## Specifications

Electrical Data			Mechanical Data	
	Power	Signal	Max. Speed	0-250 rpm
Rated Current	12A/ring	5A/ring	Working Temperature	-20°C~+80°C
Rated Voltage	0~380VAC/VDC	0~240VAC/VDC	Working Humidity	0-85% RH
Insulation Resistance	≥1000MΩ/500VDC	≥500MΩ/500VDC	Structure Material	Engineering plastic
Dielectric Strength	500VAC@50Hz,60s	500VAC@50Hz,60s	Contact material	Precious metal
Wire Size	Sliver plated Teflon AWG16 (10A)	Sliver plated Teflon AWG22 (5A)	Operating Torque	0.1N·m for 6 rings, 0.03 N·m increased for every 6 rings added
Wire Length	Standard 500mm(adjustable)			
Dynamic Resistance	<0.01Ω		Protection level	IP51

## Wires Color Code

Ring#	1	2	3	4	5	6	7	8	9	10	11	12
Color	RED	YEL	BLK	BLU	GRN	WHT	PUP	GRY	BRN	ORN	DBLU	KHK

## Drawing for HG5075



## Model List

Model	Power Ring(12A)	Signal Ring(5A)	Length L(mm)
HG5075-10S	-	10	64.5
HG5075-2P/8S	2	8	64.5
HG5075-3P/7S	3	7	64.5