

HM020 Series

HM020 series is a mini capsule slip ring with OD 20.5mm (6~18 rings optional), length 28mm to 33mm. Gold to gold contact material ensures low contact resistance, low torque and reliable performance. Electrical power and signal transfer in one unit is workable for this series.



Features

- ◆ Compact design with OD20.5mm, length 28mm to 33mm
- ◆ 6~18rings optional
- ◆ Transfer electrical power and signal in one unit
Power ring with 5A and 10A is available upon 2A rings combination for this series
- ◆ Low torque, less than 0.06N.m
- ◆ Operating smoothly and reliability
- ◆ Extremely low electrical noise
- ◆ Convenient to assembly

Optional

- ◆ Operation speed, current & voltage
- ◆ Connector
- ◆ Type of Flange
- ◆ No. of rings
- ◆ Housing material
- ◆ Position of wire outlet
- ◆ Protection level (dust and water)
- ◆ Compatible with FORJ, RF, digital signal, analog signal, data bus protocols, Ethernet signal and so on.

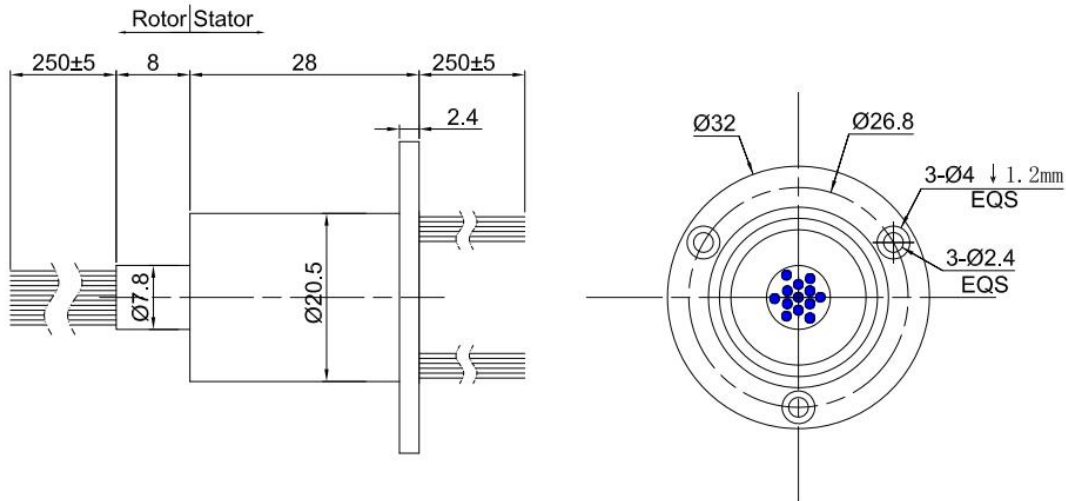
Specifications

Electrical Data		Mechanical Data	
Rated Voltage	0~240 VAC/VDC	Max. Speed	0-250RPM
Rated Current	2A/ring, 10A/ring	Working Temperature	-20°C~+80°C
Lead Size	AWG26, Silver plated Teflon colour coded AWG16, Silver plated Teflon colour coded	Working Humidity	60% RH or higher
Lead Length	Standard 250mm (adjustable)	Housing Material	Engineering plastic
Dielectric Strength	500VAC@50HZ,60S	Contact material	Gold to gold
Insulation Resistance	500MΩ/500VDC	IP rating	IP51
Electrical Noise	<0.01Ω		

Lead Wires Color Code

Ring#	1	2	3	4	5	6	7	8	9	10	11	12
Color	RED	BLK	WHT	YEL	GRN	BLU	PUP	GRY	BRN	ORN	DBLU	KHK
Ring#	13	14	15	16	17	18	19	20	21	22	23	24
Color	WHT-RED	WHT-BLK	WHT-BLU	WHT-PUP	WHT-BRN	WHT-GRN	WHT-ORN	WHT-YEL	WHT-GRY	WHT-RED	WHT-BLU	WHT-GRN

Drawing for HM020-nDF-SW



Model List

Model	Number of Rings 2A/ring	Number of Rings 10A/ring	Rated Voltage	Length(mm)
HM020-6DF-SW	6	--	0~240V	28.00
HM020-12DF-SW	12	--	0~240V	28.00
HM020-18DF-SW	18	--	0~240V	33.00
HM020-18DF-2P/4S-SW	4	2	0~240V	33.00