

HM022 Series

HM022 series with OD 22mm, suitable for rotating application which requires OD ≤ 22 mm, Standard model supports 1-36 rings to meet different signal (Analog, RS232/RS485, Inter bus, Device Net, CC-Link, SERCOS interface, Control Net, Field buses, Can open, Profibus, Mod bus, Fipio, USB 2.0 High speed, Fast Ethernet, Certified to 1000-BaseT, HD-SDI 1080P) transmission.

Features

- ◆ Multi-point brush contact material ensure long life
- ◆ Integrated structure design for easy installation
- ◆ Standard model and customization are available
- ◆ IP 51 (IP54-IP68 can be customized)
- ◆ With RJ45 male connectors, RJ45 female optional
- ◆ With advantages of reliable transmitting, no packet loss, no string code, low return loss, low insertion loss, etc.
- ◆ Free maintenance

Typical application

- ◆ Automatic machines
- ◆ Cable reels
- ◆ Robotics, rotary sensors, urgent illumination equipment
- ◆ Exhibit / display equipment
- ◆ Packaging
- ◆ Rotary table
- ◆ Medical, Pharmaceutical equipment
- ◆ Converting machines
- ◆ Capping machines
- ◆ Labeling machines
- ◆ Filling machine
- ◆ Machine tools

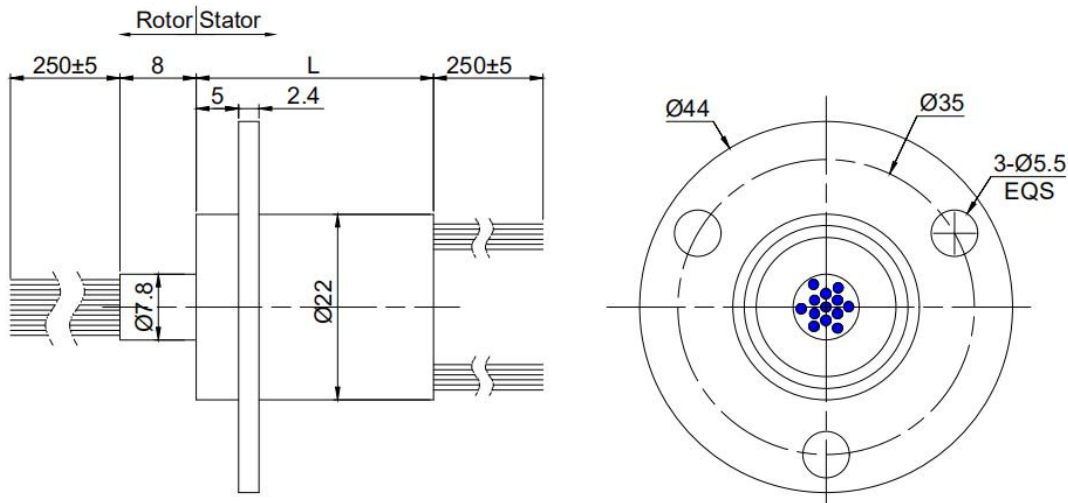
Options

- ◆ Optional for underwater IP65, IP68 Operation speed, current & voltage
- ◆ No. of rings
- ◆ Connector
- ◆ Housing material
- ◆ Position of wire outlet, wire length
- ◆ Protection level (dust and water)
- ◆ Flange mounting is optional
- ◆ Operating temperature
- ◆ Support mixed high speed data transmission(including Ethernet, USB, Profibus, Ethernet, CANOPEN, CANBUS, RS232, RS485, etc.)
- ◆ Fluidic rotary joints, FORJ and electric slip ring can be mixed.

Specifications

Electrical Data		Mechanical Data	
Number of ring	1~36	Outer Diameter	22mm
Rated Voltage	0~240 VAC/VDC	Working Speed	0-250rpm
Rated Current	2A/ring	Working Temperature	-20°C~+80°C
Lead Size	AWG26 Sliver plated Teflon	Working Humidity	60% RH or higher
Lead Length	Standard 250mm (adjustable)	Housing Material	Engineering plastic
Dielectric Strength	500VAC@50HZ,60S	Contact Material	Gold to gold
Insulation Resistance	500MΩ/500VDC	IP Rating	IP51~IP68
Electrical Noise	< 0.01Ω		

Drawing for Outline Dimension



No. of Rings 2A/ring	6	12	15	18	24	36
Length(mm)	28.0	28.0	33	33.0	40.8	56.3
Remark: Max 2A, 4A with 2 combined rings up to 20A with 10 combined rings						