

EHM022 Series

EHM022 series with OD 22mm, suitable for rotating application which requires OD ≤ 22 mm, Standard model supports 2 power rings(20A/ring) or 1-26 signal rings(0~5A/ring), combine with 1~2 channels Gigabit Ethernet signal.

Features

- ◆ Multi-point brush contact material ensure long life
- ◆ Stable transmit 1~2 channels Gigabit Ethernet signal
- ◆ Integrated structure design for easy installation
- ◆ Standard model and customization are available
- ◆ IP 51 (IP54-IP68 can be customized)
- ◆ With RJ45 male connectors, RJ45 female optional
- ◆ Ethernet cable connection
- ◆ With advantages of reliable transmitting, no packet loss, no string code, low return loss, low insertion loss, etc.
- ◆ Free maintenance

Typical application

- ◆ Automatic machines
- ◆ Cable reels
- ◆ Robotics, rotary sensors, urgent illumination equipment
- ◆ Exhibit / display equipment
- ◆ Packaging
- ◆ Rotary table
- ◆ Medical, Pharmaceutical equipment
- ◆ Converting machines
- ◆ Capping machines
- ◆ Labeling machines
- ◆ Filling machine
- ◆ Machine tools

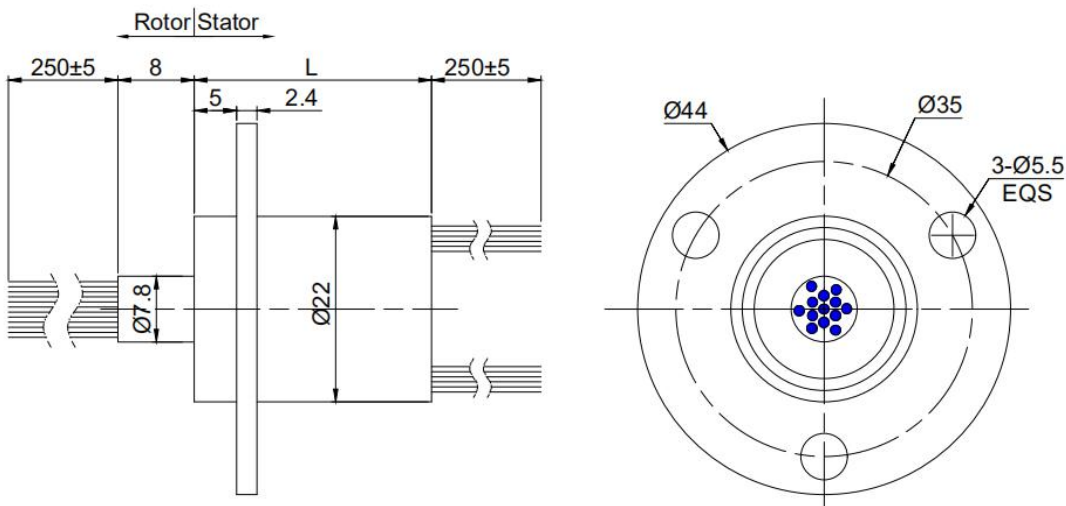
Options

- ◆ Optional for underwater IP65, IP68 Operation speed, current & voltage
- ◆ No. of rings
- ◆ Connector
- ◆ Housing material
- ◆ Position of wire outlet, wire length
- ◆ Protection level (dust and water)
- ◆ Flange mounting is optional
- ◆ Operating temperature
- ◆ Support mixed high speed data transmission(including Ethernet, USB, Profibus, Ethernet, CANOPEN, CANBUS, RS232, RS485, etc.)
- ◆ Fluidic rotary joints, FORJ and electric slip ring can be mixed.

Specifications

No. Of Ethernet	1~2 channels	Connector	RJ45
Electrical Data		Mechanical Data	
Rated Voltage	0~240 VAC/VDC	Outer Diameter	22mm
Rated Current	2A/ring, 10A/ring, 20A/ring	Working Speed	0-250rpm
Lead Size	Sliver plated Teflon colour coded AWG26(2A), AWG22(5A), AWG14(20A)	Working Temperature	-20°C~+80°C
Lead Length	Standard 250mm (adjustable)	Working Humidity	60% RH or higher
Dielectric Strength	500VAC@50HZ,60S	Housing Material	Engineering plastic
Insulation Resistance	500MΩ/500VDC	Contact material	Gold to gold
Electrical Noise	< 0.01Ω	IP rating	IP51~IP68

Drawing for EHM022



Standard Model

Model	No. Of power/signal			No. Of Ethernet		Length (mm)
	Signal (2A)	Power (5A)	Power (20A)	100M Ethernet	1000M Ethernet	
EHM022-12-M1-6S	6	0	0	1	0	28.0
EHM022-12-M1-2S1	0	2	0	1	0	28.0
EHM022-12-M4-3S	3	0	0	0	1	28.0
EHM022-18-M1-12S	12	0	0	1	0	33.0
EHM022-18-M1-2S1/4S	4	2	0	1	0	33.0
EHM022-18-M1-2P2/2S	2	0	2	1	0	33.0
EHM022-18-M4-8S	8	0	0	0	1	33.0
EHM022-18-M4-2S1	0	2	0	0	1	33.0
EHM022-24-M1-18S	18	0	0	1	0	40.8
EHM022-24-M1-2S1/10S	10	2	0	1	0	40.8
EHM022-24-M1-2P2/6S	6	0	2	1	0	40.8
EHM022-24-M4-14S	14	0	0	0	1	40.8
EHM022-24-M4-2S1/6S	6	2	0	0	1	40.8
EHM022-24-M4-2P2/2S	2	0	2	0	1	40.8
EHM022-24-M5-4S	4	0	0	0	2	40.8
EHM022-24-M5-2S1	0	2	0	0	2	40.8
EHM022-36-M1-30S	30	0	0	1	0	56.3
EHM022-36-M1-4S1/18S	18	4	0	1	0	56.3
EHM022-36-M1-6S1/12S	12	6	0	1	0	56.3
EHM022-36-M1-10S1	0	10	0	1	0	56.3
EHM022-36-M1-2P2/10S	10	0	2	1	0	56.3
EHM022-36-M2-2P2/4S	4	0	2	2	0	56.3
EHM022-36-M1-20S	20	0	0	1	1	56.3
EHM022-36-M4-26S	26	0	0	0	1	56.3
EHM022-36-M7-16S	16	0	0	2	1	56.3
EHM022-36-M5-16S	16	0	0	0	2	56.3
EHM022-36-M5-4S1/4S	4	4	0	0	2	56.3