

FHM022 Series

Slip rings of the FHM022 series are specially design for IP65 water-proof and dust-proof slip ring, Grand applies noble precious metal reduced noises and interference between circuits, low friction torque assures long life-span. FHM022 series with OD 22mm, suitable for rotating application which requires OD ≤ 22 mm, standard model supports 4 power rings(10A/ring) or 1-36 signal rings(0~2A/ring).

Features

- ◆ Waterproof slip ring IP65.
- ◆ Multi-point brush contact material ensure long life
- ◆ Anti-corrosion stainless steel housing for better protection
- ◆ Integrated structure design for easy installation
- ◆ Standard model and customization are available
- ◆ Standard model supports 1-96rings power or signal(0~20A/ring)
- ◆ Free maintenance

Typical applications

- ◆ Automatic machines
- ◆ Cable reels
- ◆ Robotics, rotary sensors, urgent illumination equipment
- ◆ Exhibit / display equipment
- ◆ Packaging
- ◆ Rotary table
- ◆ Medical,Pharmaceutical equipment
- ◆ Converting machines
- ◆ Capping machines
- ◆ Labeling machines
- ◆ Filling machine
- ◆ Machine tools

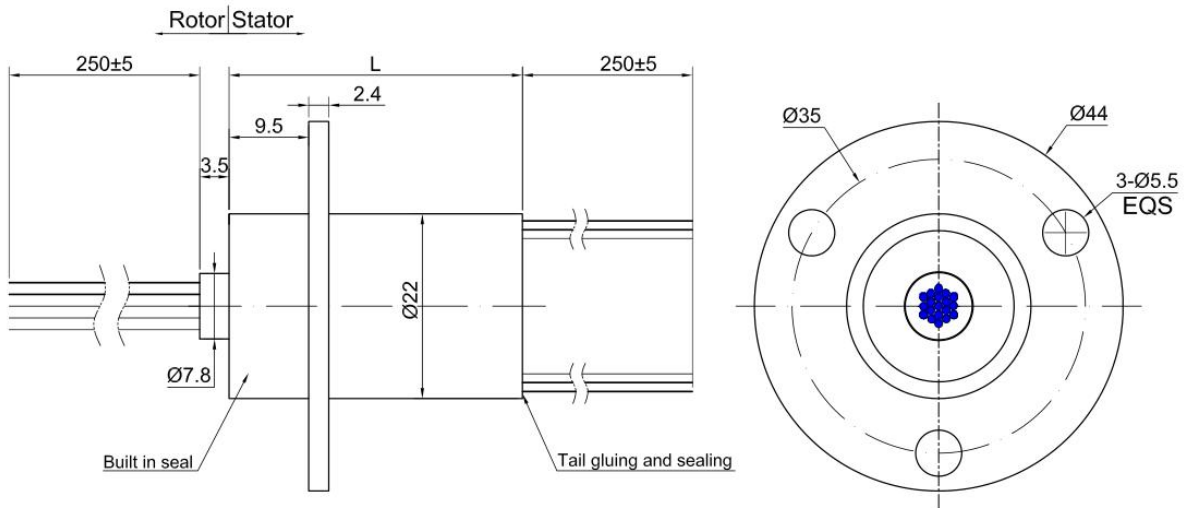
Options

- ◆ No. of rings
- ◆ Current &voltage
- ◆ Connector
- ◆ Housing material
- ◆ Position of wire outlet, wire length
- ◆ Flange mounting is optional
- ◆ Operating temperature
- ◆ Support mixed high speed data transmission(including Ethernet, USB, Profibus, Ethernet, CANOPEN, CANBUS, RS232, RS485, etc.)
- ◆ Fluidic rotary joints, FORJ and electric slip ring can be mixed.

Specifications

Electrical Data		Mechanical Data	
Rated Voltage	0~240 VAC/VDC	Outer Diameter	22mm
Rated Current	2A/ring, 10A/ring, 20A/ring	Working Speed	0-250rpm
Lead Size	Sliver plated Teflon colour coded AWG26(2A), AWG16(10A), AWG14(20A)	Working Temperature	-40°C~+85°C
Lead Length	Standard 250mm (adjustable)	Working Humidity	60% RH or higher
Dielectric Strength	500VAC@50HZ,60S	Housing Material	Aluminium alloy
Insulation Resistance	500MΩ/500VDC	Contact material	Gold to gold(Alloy)
Electrical Noise	<0.01Ω	IP rating	IP65

Drawing for Outline Dimension



Standard Model

Model	No. of Rings 2A/ring	No. of Rings 10A/ring	No. of Rings 20A/ring	Rated Voltage	Length(mm)
FHM022-6-SW	6			0~240V	35.0
FHM022-12-SW	12			0~240V	35.0
FHM022-15-SW	15			0~240V	40.0
FHM022-18-SW	18			0~240V	40.0
FHM022-24-SW	24			0~240V	47.8
FHM022-36-SW	36			0~240V	63.3
FHM022-18-2P/4S-SW	4	2		0~240V	40.0
FHM022-24-2P/10S-SW	10	2		0~240V	47.8
FHM022-24-3P/3S-SW	3	3		0~240V	47.8
FHM022-36-2P/22S-SW	22	2		0~240V	63.3
FHM022-36-3P/15S-SW	15	3		0~240V	63.3
FHM022-36-4P/8S-SW	8	4		0~240V	63.3
FHM022-36-2P2/6S-SW	6		2	0~240V	63.3