

HM025 Series

HM025 series is a mini capsule slip ring with OD 25mm (2~82 rings optional), length 51mm to 89.5mm. Gold to gold contact material ensures low contact resistance, low torque and reliable performance. Electrical power and signal transfer in one unit is workable for this series.



Features

- ◆ Compact design with OD25mm, length 51mm to 89.5mm
- ◆ 2~82rings optional
- ◆ Transfer electrical power and signal in one unit
Power ring with 5A to 20A is available upon 2A rings combination for this series
- ◆ Low torque, less than 0.06N.m
- ◆ Operating smoothly and reliability
- ◆ Extremely low electrical noise
- ◆ Convenient to assembly

Optional

- ◆ Operation speed, current & voltage
- ◆ Connector
- ◆ Type of Flange
- ◆ No. of rings
- ◆ Housing material
- ◆ Position of wire outlet
- ◆ Protection level (dust and water)
- ◆ Compatible with FORJ, RF, digital signal, analog signal, data bus protocols, Ethernet signal and so on.

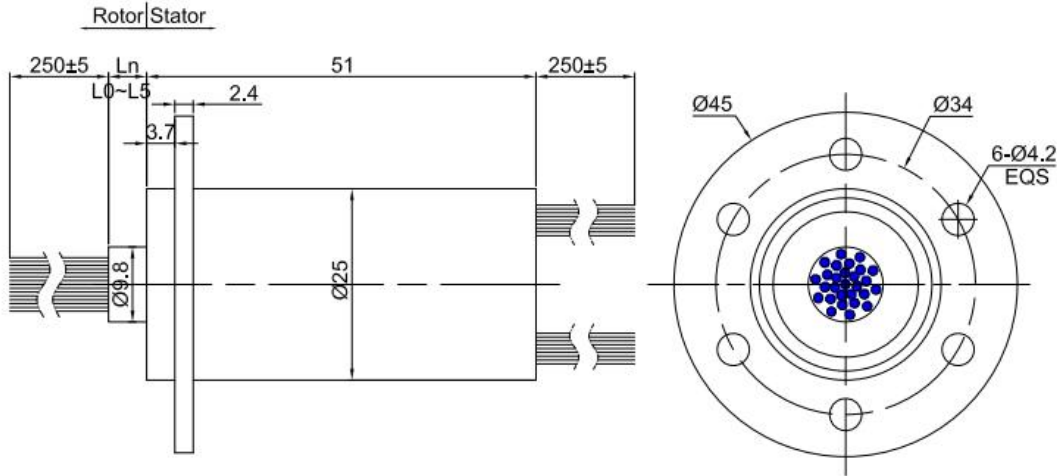
Specifications

Electrical Data		Mechanical Data	
Rated Voltage	0~240 VAC/VDC	Max. Speed	0-250RPM
Rated Current	2A/ring, 10A/ring, 20A/ring	Working Temperature	-20°C~+80°C
Lead Size	AWG26, Silver plated Teflon colour coded AWG16, Silver plated Teflon colour coded AWG14, Silver plated Teflon colour coded	Working Humidity	60% RH or higher
Lead Length	Standard 250mm (adjustable)	Housing Material	Aluminium alloy
Dielectric Strength	500VAC@50HZ,60S	Contact material	Gold to gold
Insulation Resistance	500MΩ/500VDC	IP rating	IP51
Electrical Noise	<0.01Ω		

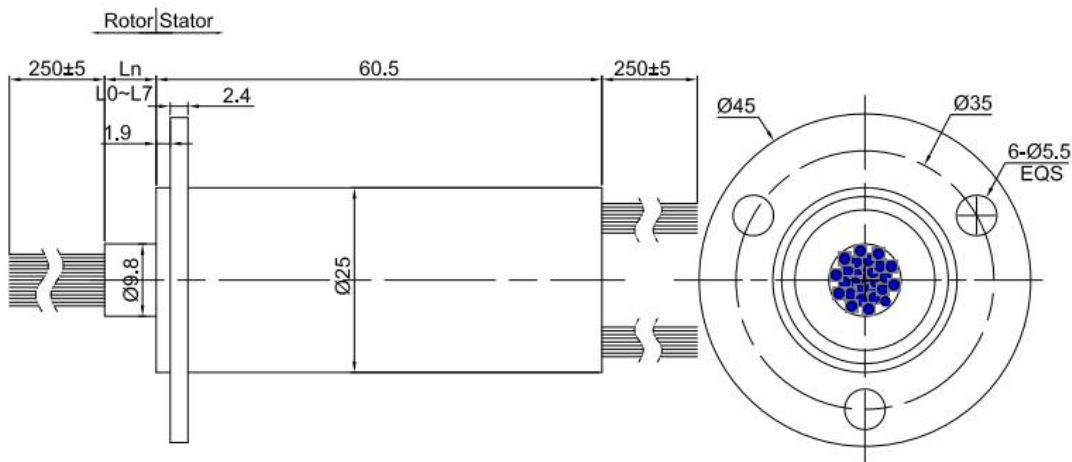
Lead Wires Color Code

Ring#	1	2	3	4	5	6	7	8	9	10	11	12
Color	RED	BLK	WHT	YEL	GRN	BLU	PUP	GRY	BRN	ORN	DBLU	KHK
Ring#	13	14	15	16	17	18	19	20	21	22	23	24
Color	WHT-RED	WHT-BLK	WHT-BLU	WHT-PUP	WHT-BRN	WHT-GRN	WHT-ORN	WHT-YEL	WHT-GRY	WHT-RED	WHT-BLU	WHT-GRN

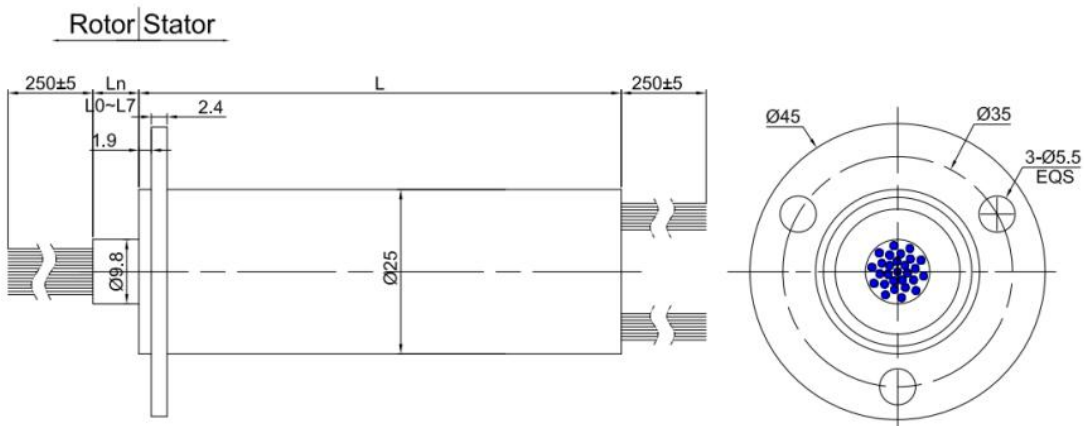
Drawing for HM025-30



Drawing for HM025-37B1



Drawing for HM025-n



Model List

Model	No. of Rings 2A/ring	No. of Rings 10A/ring	No. of Rings 20A/ring	Rated Voltage	Length (mm)
HM025-30	30	--		0~240V	51.0
HM025-30-2P/16S	16	2		0~240V	51.0
HM025-30-3P/9S	9	3		0~240V	51.0
HM025-30-4P/2S	2	4		0~240V	51.0
HM025-30-2P2			2	0~240V	51.0
HM025-30-2P/18S	18	2		0~240V	51.0
HM025-30-3P/15S	15	3		0~240V	51.0
HM025-30-4P/12S	12	4		0~240V	51.0
HM025-30-5P/8S	8	5		0~240V	51.0
HM025-30-6P/5S	5	6		0~240V	51.0
HM025-30-7P/2S	2	7		0~240V	51.0
HM025-30-8P		8		0~240V	51.0
HM025-30-2P2/12S	12		2	0~240V	51.0
HM025-30-3P2/5S	5		3	0~240V	51.0
HM025-30-4P2			4	0~240V	51.0
HM025-37B1	37			0~240V	60.5
HM025-37B1-2P/23S	23	2		0~240V	60.5
HM025-37B1-3P/16S	16	3		0~240V	60.5
HM025-37B1-4P/9S	9	4		0~240V	60.5
HM025-37B1-5P/2S	2	5		0~240V	60.5
HM025-37B1-2P2/7S	7		2	0~240V	60.5
HM025-37B1-2P/25S	25	2		0~240V	60.5
HM025-37B1-3P/21S	21	3		0~240V	60.5
HM025-37B1-4P/17S	17	4		0~240V	60.5
HM025-37B1-5P/13S	13	5		0~240V	60.5
HM025-37B1-6P/10S	10	6		0~240V	60.5
HM025-37B1-7P/6S	6	7		0~240V	60.5
HM025-37B1-8P/3S	3	8		0~240V	60.5
HM025-37B1-2P2/23S	23		2	0~240V	60.5
HM025-37B1-3P2/19S	19		3	0~240V	60.5
HM025-37B1-4P2/15S	15		4	0~240V	60.5
HM025-47	47			0~240V	73.5
HM025-47-2P/27S	27	2		0~240V	73.5
HM025-47-3P/23S	23	3		0~240V	73.5
HM025-47-4P/19S	19	4		0~240V	73.5
HM025-47-5P/12S	12	5		0~240V	73.5
HM025-47-6P/5S	5	6		0~240V	73.5

HM025-47-2P2/17S	17		2	0~240V	73.5
HM025-47-3P2/2S	2		3	0~240V	73.5
HM025-47-6P2/10S	10		5	0~240V	73.5
HM025-47-6P2/5S	5		6	0~240V	73.5
HM025-59	59	--		0~240V	89.5
HM025-82	82	--		0~240V	89.5