

Miniature Slip Ring - HM Series

Miniature slip rings are specially fit for small or miniature rotating system of transmitting low controlling signal. Applies noble precious metal reduced noises and interference between circuits, low friction torque assures long life-span.



Features

- ◆ Compact design
- ◆ No maintenance
- ◆ Operating smoothly and reliability
- ◆ Extremely low electrical noise
- ◆ Convenient to assembly
- ◆ Compatible with data bus protocols
- ◆ Precious metal contact ensures long life-span

Typical application

- ◆ Electrical test equipment
- ◆ Manufacturing and process control equipment
- ◆ Indexing tables, Cable reels
- ◆ Robotics, rotary sensors, urgent illumination equipment
- ◆ Exhibit / display equipment
- ◆ CCTV pan
- ◆ Laboratory equipment
- ◆ Aviation, military, marine and medical equipment
- ◆ Wind generator

Options

- ◆ Operation speed, current & voltage
- ◆ Connector
- ◆ Type of Flange
- ◆ No. of circuits
- ◆ Housing material
- ◆ Position of wire outlet
- ◆ Protection level (dust and water)
- ◆ Compatible with FORJ, RF, digital signal, analog signal, data bus protocols, Ethernet signal and so on.

Standard Model for HM series

Model	No. of Rings	Rated Current	Rated Voltage	OD(mm)	RPM	IP rating
HM006	4-12	0.6A	0~240V	6.5	0~250	IP51
HM008	4-12	1A	0~240V	8.5	0~250	IP51
HM010	6-18	1A	0~240V	10.5	0~250	IP51
HM012	6-18	2A~10A	0~240V	12.0	0~250	IP51
HM015	6-24	2A~10A	0~240V	15.0	0~250	IP51
HM020	12-18	2A~10A	0~240V	20.0	0~250	IP51

Product Code:

For standard versions	<u>HM</u> <u>XXX</u> - <u>XX</u> <u>X</u> <u>F</u> - <u>XP/XS</u> - <u>XX</u> - <u>XXX</u>
	1 2 3 4 5 6 7 8 9
1 Series	
2 Outer dimension of housing Eg, XXX= 012, the OD is 12mm	
3 Number of rings Eg, XXX= 24, the number of rings are 24	
4 Flange type	
5 F=flange Reverse loading	
6 Number of power rings Eg, X is the number of the power rings, P=10A, P1=15A, P2=20A	
7 Number of signal rings Eg, X is the number of signal rings	
8 SW=made of single wire technology, no SW means made of multiple brush technology	
9 Special options	

Specifications

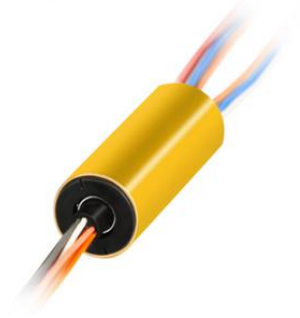
Electrical Data		Mechanical Data	
Rated Voltage	0~240 VAC/VDC	Max. Speed	0-250RPM
Rated Current	0.6A~10A/ring	Working Temperature	-20°C~+80°C
Lead Size	AWG32,AWG30,AWG26 Sliver plated Teflon colour coded	Working Humidity	60% RH or higher
Lead Length	Standard 250mm (adjustable)	Housing Material	Engineering plastic
Dielectric Strength	500VAC@50HZ,60S	Contact material	Gold to gold
Insulation Resistance	500MΩ/500VDC		
Electrical Noise	<0.01Ω		

Lead Wires Color Code

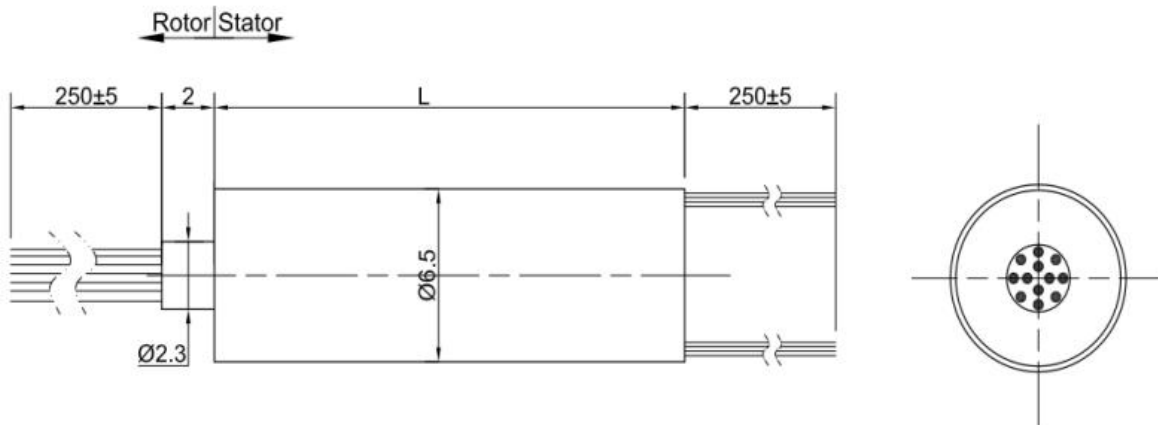
Ring#	1	2	3	4	5	6	7	8	9	10	11	12
Color	RED	BLK	WHT	YEL	GRN	BLU	PUP	GRY	BRN	ORN	DBLU	KHK
Ring#	13	14	15	16	17	18	19	20	21	22	23	24
Color	WHT-RED	WHT-BLK	WHT-BLU	WHT-PUP	WHT-BRN	WHT-GRN	WHT-ORN	WHT-YEL	WHT-GRY	WHT-RED	WHT-BLU	WHT-GRN

HM006 Series

HM006 series is a mini capsule slip ring with OD 6.5mm (4~12 rings optional), length 12mm to 17.4mm. Gold to gold contact material ensures low contact resistance, low torque and reliable performance.



Drawing for Outline Dimension



Model List

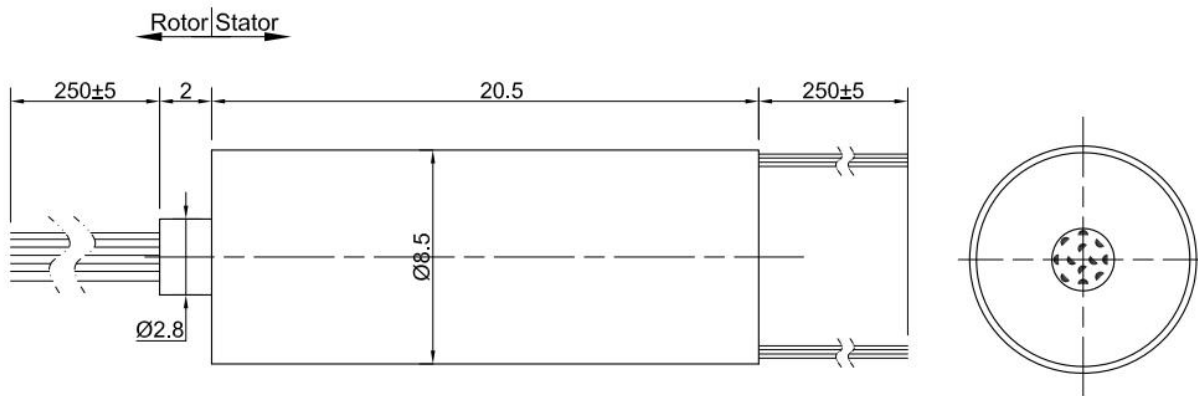
Model	No. of Rings	Rated Current	Rated Voltage	Length (mm)
HM006-4Q-SW	4	1A	0~240V	12.0
HM006-6Q-SW	6	1A	0~240V	12.0
HM006-8Q-SW	8	1A	0~240V	12.0
HM006-12Q-SW	12	0.6A	0~240V	17.4

HM008 Series

HM008 series is a mini capsule slip ring with OD 8.5mm (4~12 rings optional), length 20.5mm. Gold to gold contact material ensures low contact resistance, low torque and reliable performance.



Drawing for Outline Dimension



Model List

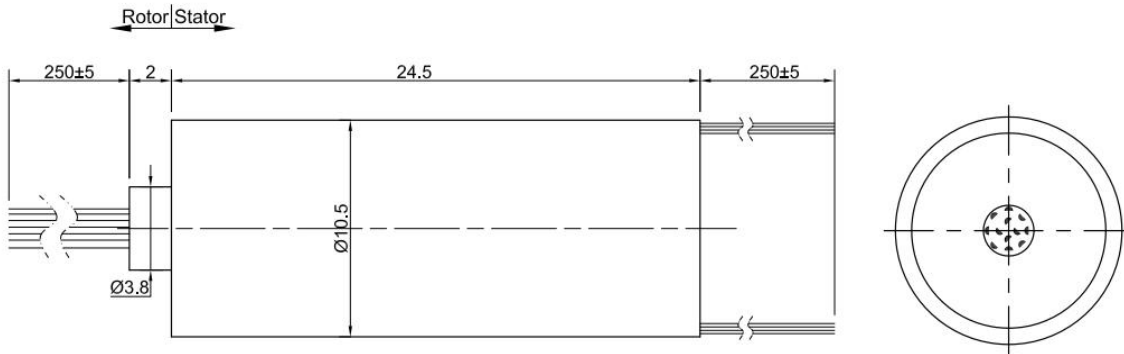
Model	No. of Rings	Rated Current	Rated Voltage	Length (mm)
HM008-4Q-SW	4	1A	0~240V	20.5
HM008-6Q-SW	6	1A	0~240V	20.5
HM008-8Q-SW	8	1A	0~240V	20.5
HM008-10Q-SW	10	1A	0~240V	20.5
HM008-12Q-SW	12	1A	0~240V	20.5

HM010 Series

HM010 series is a mini capsule slip ring with OD 10.5mm (4~18 rings optional), length 12mm to 24.5mm. Gold to gold contact material ensures low contact resistance, low torque and reliable performance.



Drawing for Outline Dimension



Model List

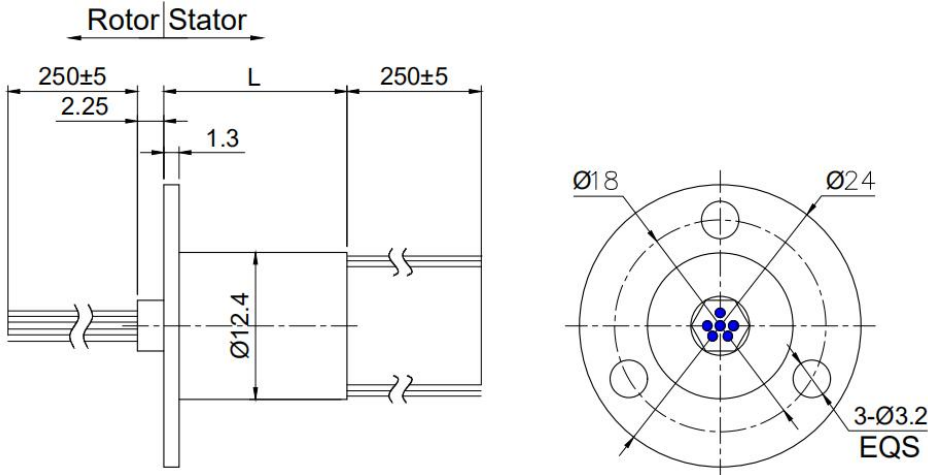
Model	No. of Rings	Rated Current	Rated Voltage	Length (mm)
HM010-6Q-SW	6	1A	0~240V	24.5
HM010-8Q-SW	8	1A	0~240V	24.5
HM010-10Q-SW	10	1A	0~240V	24.5
HM010-12Q-SW	12	1A	0~240V	24.5
HM010-15Q-SW	15	1A	0~240V	24.5
HM010-18Q-SW	18	1A	0~240V	24.5



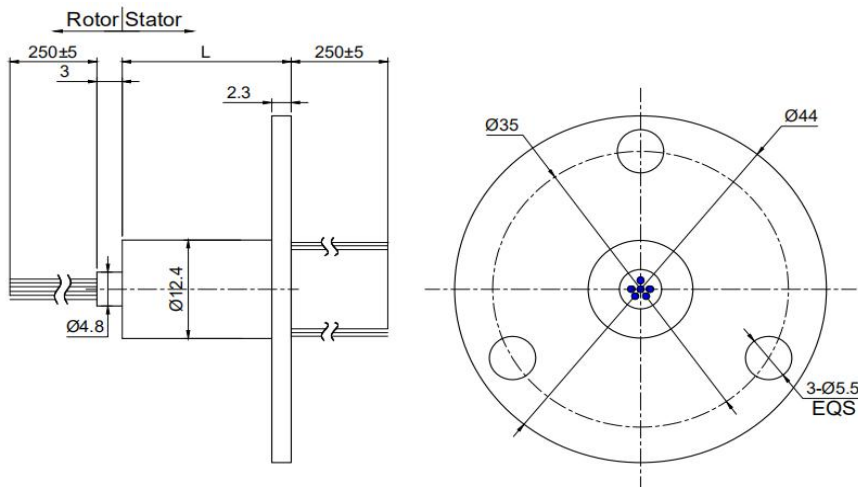
HM012 Series

HM012 series is a mini capsule slip ring with OD 12mm (6~18 rings optional), length 15.6mm to 24.8mm. Gold to gold contact material ensures low contact resistance, low torque and reliable performance. Electrical power and signal transfer in one unit is workable for this series.

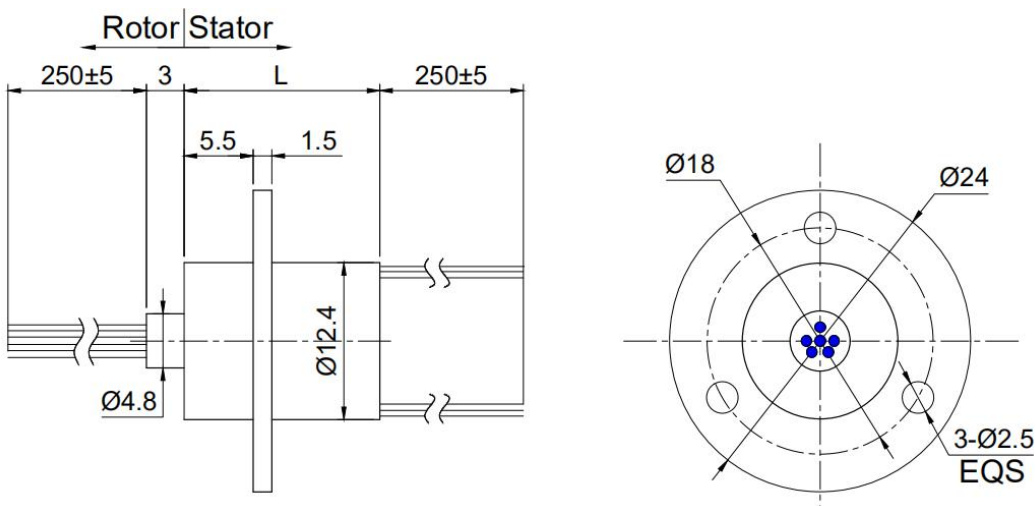
Drawing for Outline Dimension HM012-nA-SW



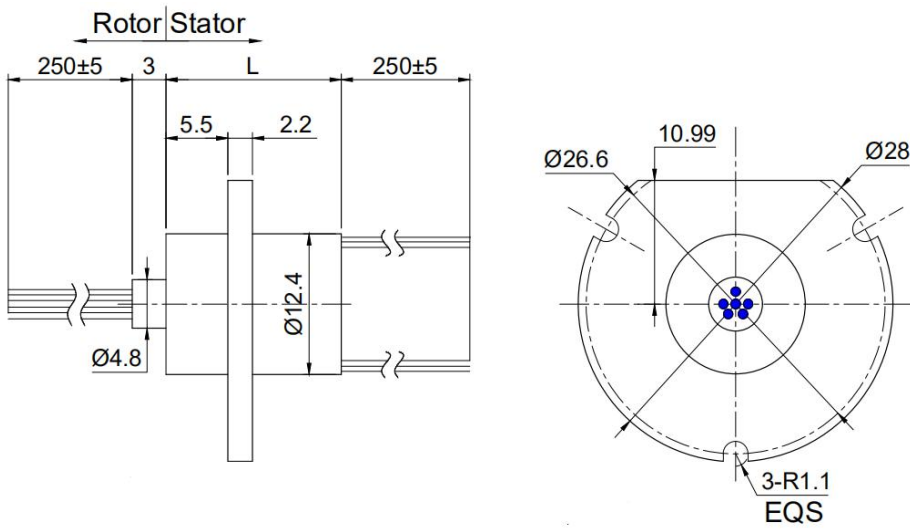
Drawing for Outline Dimension HM012-nA4F-SW



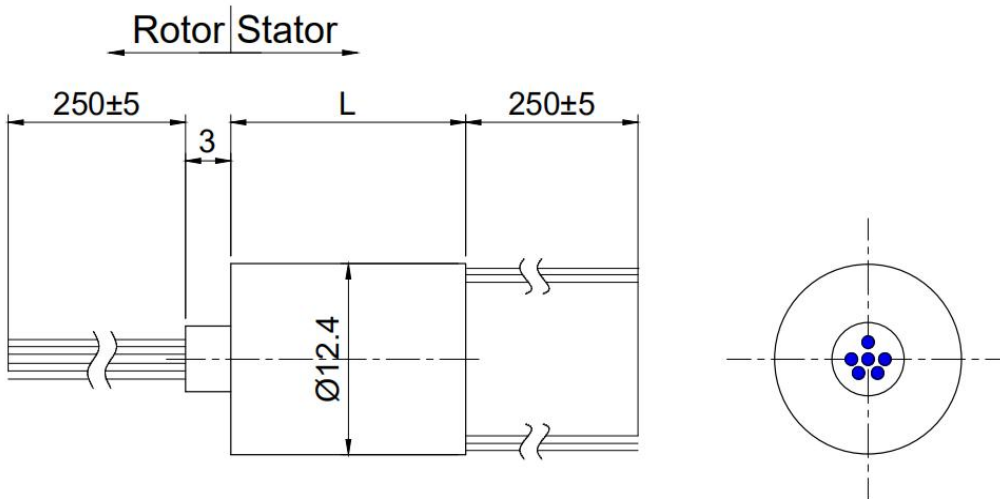
Drawing for Outline Dimension HM012-nB1-SW



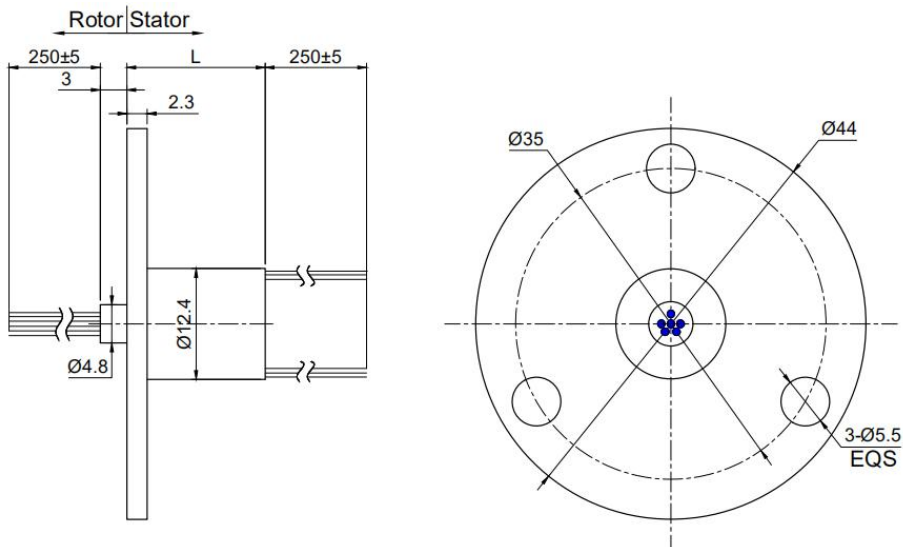
Drawing for Outline Dimension HM012-nB-SW



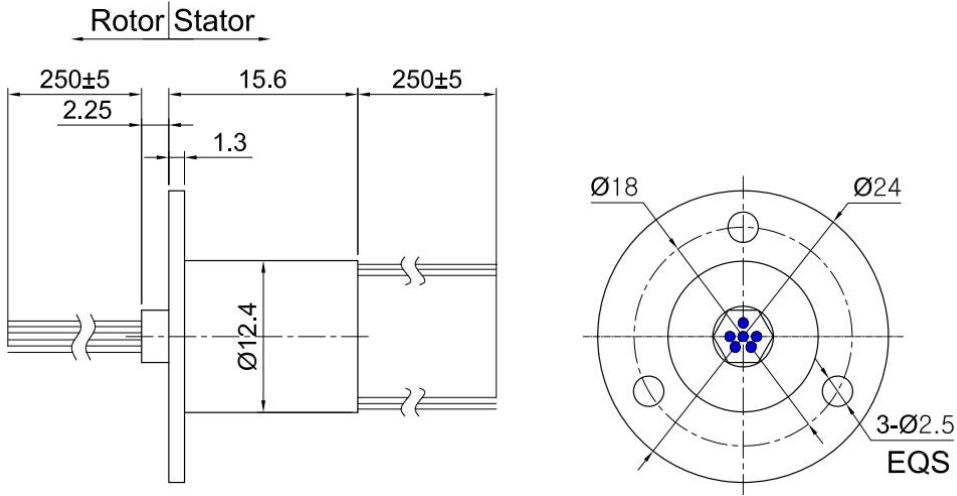
Drawing for Outline Dimension HM012-nQ-SW



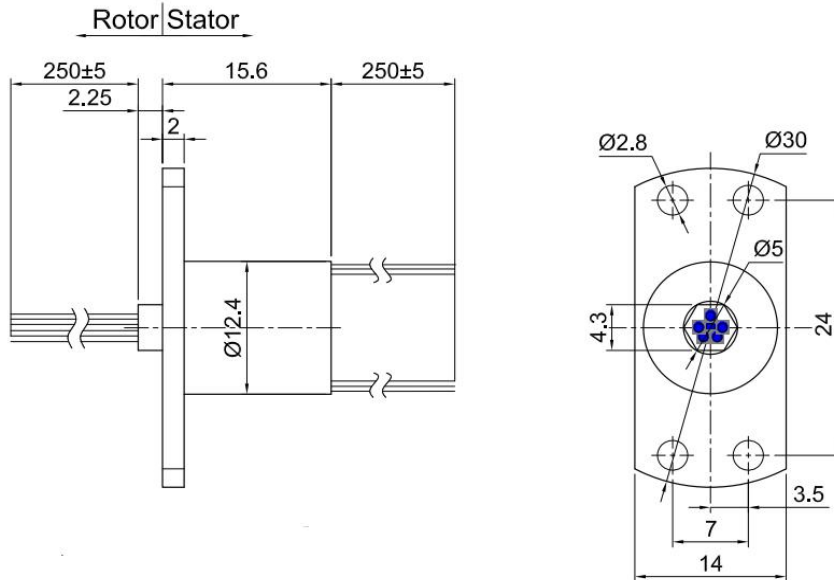
Drawing for Outline Dimension HM012-nA4-SW



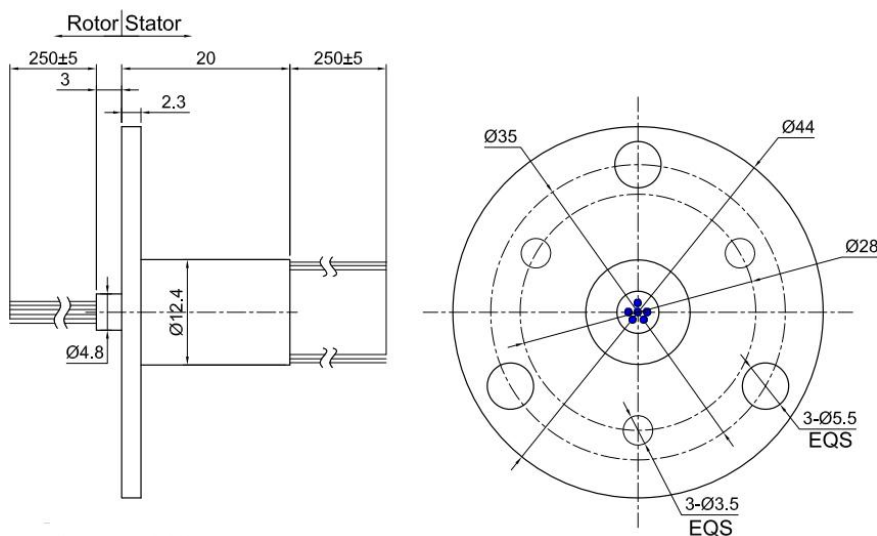
Drawing for Outline Dimension HM012-6A2-SW



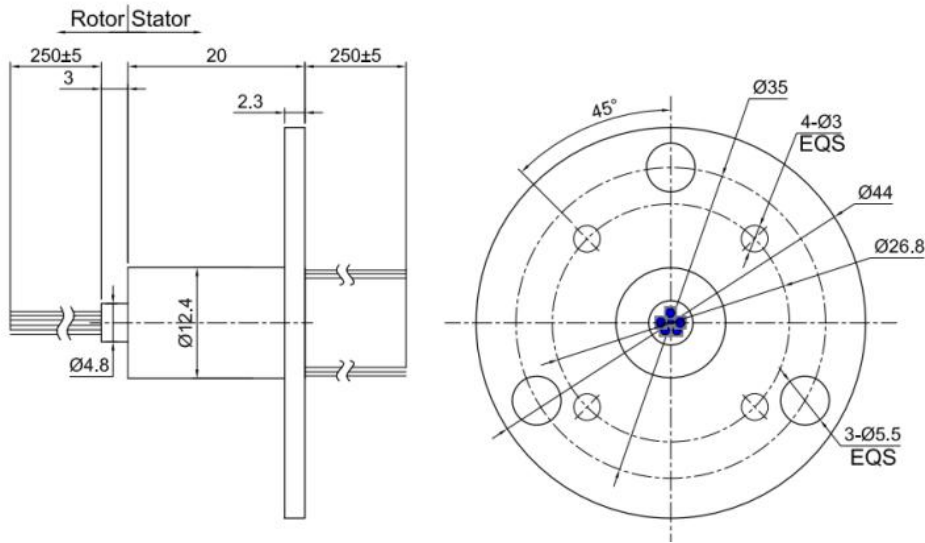
Drawing for Outline Dimension HM012-6B3-SW



Drawing for Outline Dimension HM012-12A11-SW



Drawing for Outline Dimension HM012-12A12F-SW



Model List

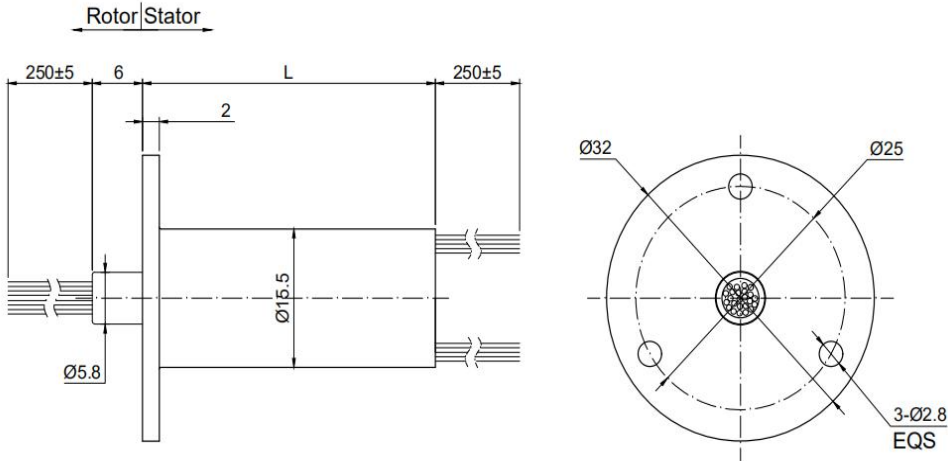
Model	No. of Rings	Rated Current	Rated Voltage	Length (mm)
HM012-6A-SW	2	2A	0~240V	15.6
HM012-12A-SW	12	2A	0~240V	20.0
HM012-18A-SW	18	2A	0~240V	24.8
HM012-6A4F-SW	6	2A	0~240V	17.4
HM012-12A4F-SW	12	2A	0~240V	15.6
HM012-18A4F-SW	18	2A	0~240V	20.0
HM012-6B1-SW	6	2A	0~240V	15.6
HM012-12B1-SW	12	2A	0~240V	20.0
HM012-6B-SW	6	2A	0~240V	15.6
HM012-12B-SW	12	2A	0~240V	20.0
HM012-18B-SW	18	2A	0~240V	24.8
HM012-6Q-SW	6	2A	0~240V	15.6
HM012-12Q-SW	12	2A	0~240V	20.0
HM012-18Q-SW	18	2A	0~240V	24.8
HM012-6A4-SW	6	2A	0~240V	15.6
HM012-12A4-SW	12	2A	0~240V	20.0
HM012-18A4-SW	18	2A	0~240V	24.8
HM012-6A2-SW	6	2A	0~240V	15.6
HM012-6B3-SW	6	2A	0~240V	15.6
HM012-12A11-SW	12	2A	0~240V	20.0
HM012-12A12F-SW	12	2A	0~240V	20.0

HM015 Series

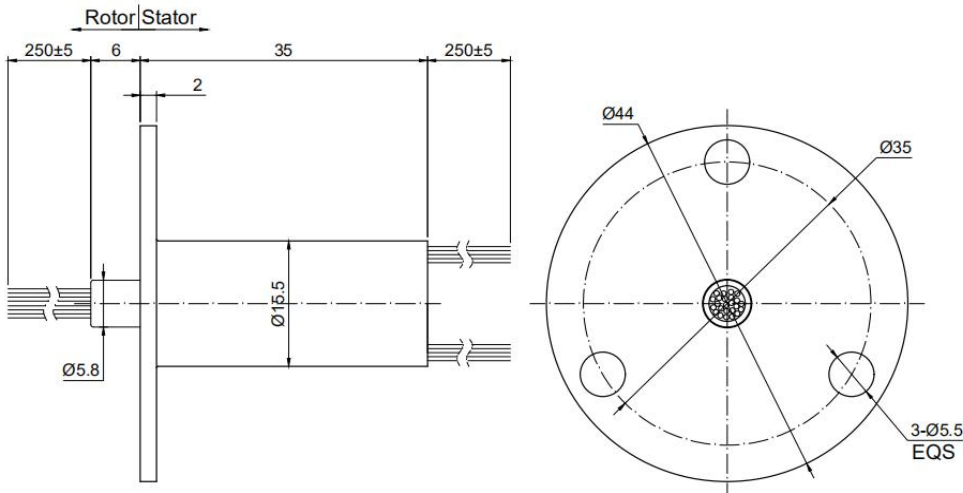
HM015 series is a mini capsule slip ring with OD 15mm (6~24 rings optional), length 35mm. Gold to gold contact material ensures low contact resistance, low torque and reliable performance. Electrical power and signal transfer in one unit is workable for this series.



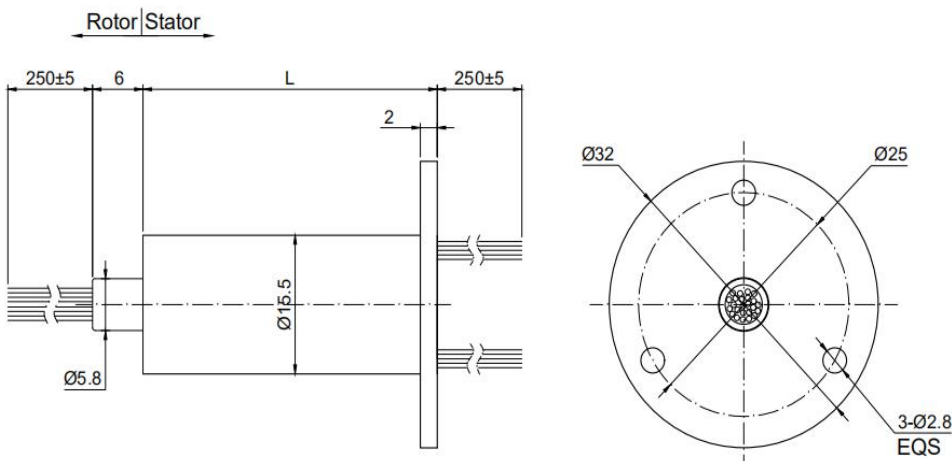
Drawing for Outline Dimension HM015-24A-n-SW



Drawing for Outline Dimension HM015-24A4-n-SW



Drawing for Outline Dimension HM015-24AF-n-SW



Model List

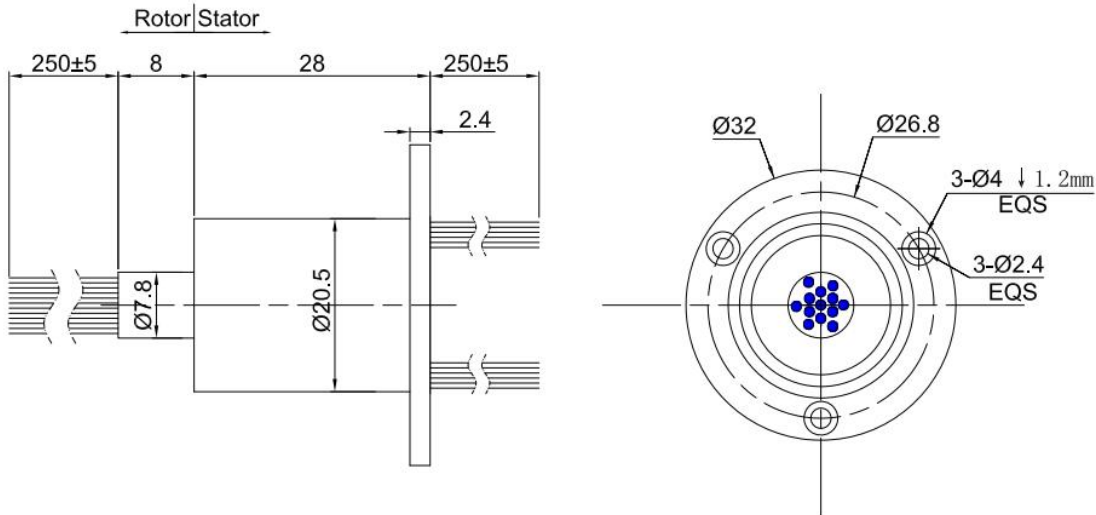
Model	No. of Signal 2A/ring	No. of Power 10A/ring	Rated Voltage	Length L(mm)
HM015-24A-6-SW	6	-	0~240V	35.0
HM015-24A-12-SW	12	-	0~240V	35.0
HM015-24A-15-SW	15	-	0~240V	35.0
HM015-24A-18-SW	18	-	0~240V	35.0
HM015-24A-24-SW	24	-	0~240V	35.0
HM015-24A-2P/4S-SW	4	2	0~110V	35.0
HM015-24AF-6-SW	6	-	0~240V	35.0
HM015-24AF-12-SW	12	-	0~240V	35.0
HM015-24AF-15-SW	15	-	0~240V	35.0
HM015-24AF-18-SW	18	-	0~240V	35.0
HM015-24AF-24-SW	24	-	0~240V	35.0
HM015-24AF-2P/4S-SW	4	2	0~110V	35.0
HM015-24A4-6-SW	6	-	0~240V	35.0
HM015-24A4-12-SW	12	-	0~240V	35.0
HM015-24A4-15-SW	15	-	0~240V	35.0
HM015-24A4-18-SW	18	-	0~240V	35.0
HM015-24A4-24-SW	24	-	0~240V	35.0
HM015-24A4-2P/4S-SW	4	2	0~110V	35.0

HM020 Series

HM020 series is a mini capsule slip ring with OD 20.5mm (6~18 rings optional), length 28mm to 33mm. Gold to gold contact material ensures low contact resistance, low torque and reliable performance. Electrical power and signal transfer in one unit is workable for this series.



Drawing for Outline Dimension HM020-nDF-SW



Model List

Model	No. of Rings 2A/ring	No. of Rings 10A/ring	Rated Voltage	Length L(mm)
HM020-6DF-SW	6	--	0~240V	28.00
HM020-12DF-SW	12	--	0~240V	28.00
HM020-18DF-SW	18	--	0~240V	33.00
HM020-18DF-2P/4S-SW	4	2	0~240V	33.00