



HPC060 Series

HPC060 series with through hole 60mm and thickness 6mm , suitable for rotating application which requires a through hole ≤ 60 mm. Grand applies noble precious metal reduced noises and interference between rings, low friction torque assures long life-span.

Standard model supports 1-12rings signal(0~10A/ring)

Features

- ◆ Thickness: 6mm
- ◆ Integrated structure design for easy installation
- ◆ Low contact resistance, no friction debris
- ◆ Standard model supports 1-12rings power or signal(0~10A/ring)
- ◆ Can be combined to transmit precision signal and supply power
- ◆ Free maintenance

Typical application

- ◆ Automatic machines
- ◆ Cable reels
- ◆ Robotics, rotary sensors, urgent illumination equipment
- ◆ Exhibit / display equipment
- ◆ Packaging
- ◆ Rotary table
- ◆ Medical,Pharmaceutical equipment
- ◆ Converting machines
- ◆ Capping machines
- ◆ Labeling machines
- ◆ Filling machine
- ◆ Machine tools

Product Code

For standard versions HPC XXX– XP/XS –XXX

① ② ③ ④ ⑤

① Series; Eg, XX=HPC is PCB slip ring series

② Inner dimension of housing ; Eg, XXX= 025, the ID is 25mm

③ Number of power rings; Eg, XP= 3P, the number of power rings is 3

④ Number of signal circuits; Eg, XS= 2S, the number of signal is 2 rings

⑤ Customer special options

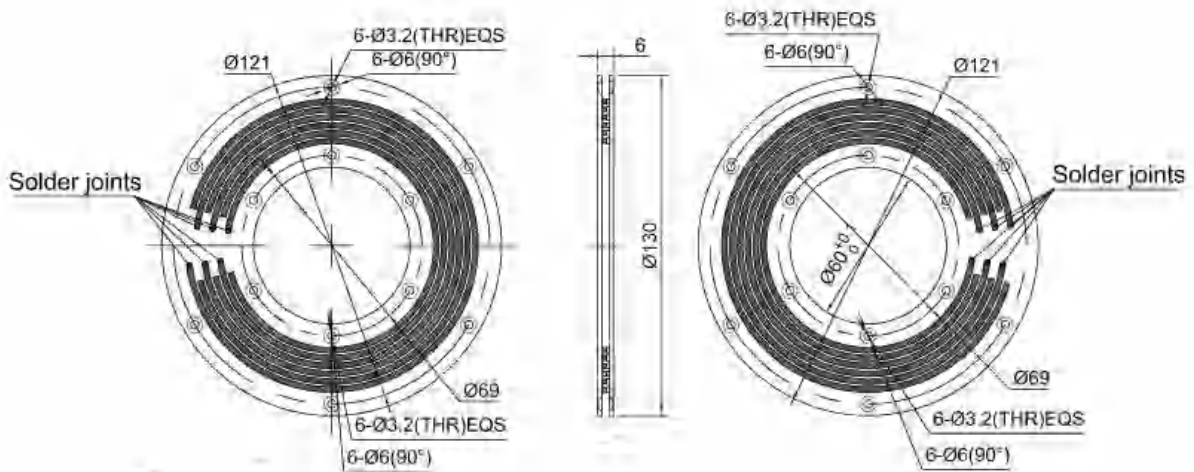
Specifications

Electrical Data			Mechanical Data	
	Power	Signal	Max. Speed	0-100 rpm
Rated Current	10A	5A	Working Temperature	-30°C~+80°C
Rated Voltage	0~440VAC/VDC	0~440VAC/VDC	Working Humidity	0-85% RH
Insulation Resistance	≥1000MΩ/500VDC	≥1000MΩ/500VDC	Structure Material	Insulating plate
Dielectric Strength	500VAC@50Hz,60s	500VAC@50Hz,60s	Contact material	Precious metal
Wire Length	Standard 250mm(adjustable)		Protection level	IP00
Dynamic Resistance	<0.01Ω			

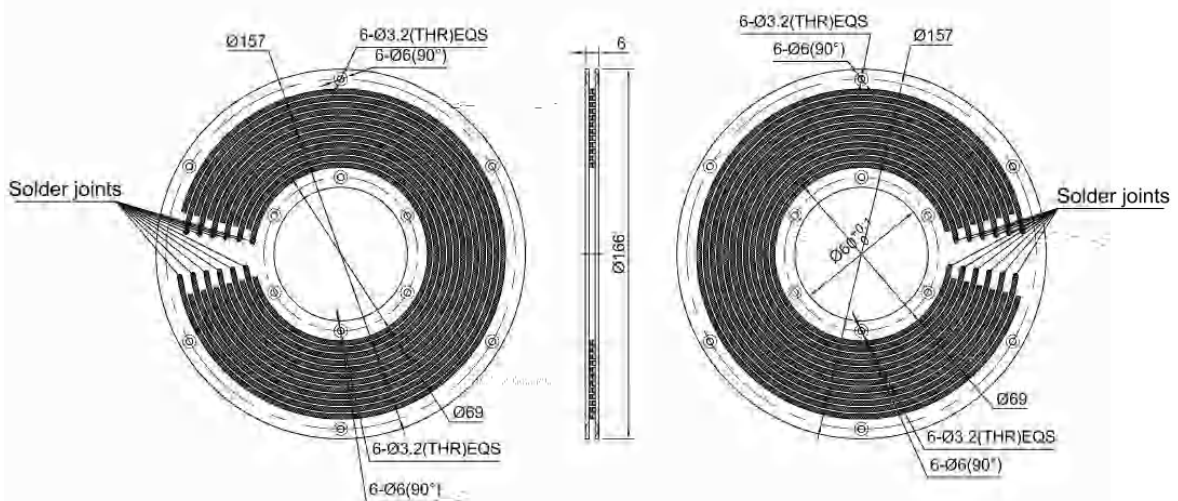
Wires Color Code

Ring#	1	2	3	4	5	6	7	8	9	10	11	12
Color	RED	YEL	BLK	BLU	GRN	WHT	PUP	GRY	BRN	ORN	DBLU	KHK

Drawing for HPC060- 6



Drawing for HPC060-12



Model List

Model	Power rings/10A	Signal rings/5A	ID(mm)	Height(mm)
HPC060-6S	0	6	60	6
HPC060-2P/4S	2	4	60	6
HPC060-3P/3S	3	3	60	6
HPC060-4P/2S	4	2	60	6
HPC060-6P	6	0	60	6
HPC060-12S	0	12	60	6
HPC060-2P/10S	2	10	60	6
HPC060-4P/8S	4	8	60	6
HPC060-6P/6S	6	6	60	6
HPC060-8P/4S	8	4	60	6
HPC060-10P/2S	10	2	60	6
HPC060-12P	12	0	60	6

Remark: ring can be combined in parallel for bigger current,N rings of 10A to get N*10A,such as 2 rings of 10A in parallel for 20A use.