

Through Hole Slip Ring - HG Series

Slip rings of the HG series are specially fit for the equipment with shaft. Grand applies noble precious metal reduced noises and interference between circuits, low friction torque assures long life-span.

Available in a wide range of sizes and models starting from 12mm up to over 400mm through hole diameter.



Features

- ◆ Multi-point brush contact material ensure long life
- ◆ Integrated structure design for easy installation
- ◆ Standard model supports 1-96rings power or signal(0~20A/ring)
- ◆ IP 51 (IP54-IP68 can be customized)
- ◆ Both the data bus agreement compatible
- ◆ Free maintenance

Typical application

- ◆ Automatic machines
- ◆ Cable reels
- ◆ Robotics, rotary sensors, urgent illumination equipment
- ◆ Exhibit / display equipment
- ◆ Packaging
- ◆ Rotary table
- ◆ Medical, Pharmaceutical equipment
- ◆ Converting machines
- ◆ Capping machines
- ◆ Labeling machines
- ◆ Filling machine
- ◆ Machine tools

Options

- ◆ Optional for underwater IP65, IP68 Operation speed, current & voltage
- ◆ No. of rings
- ◆ Connector
- ◆ Housing material
- ◆ Position of wire outlet, wire length
- ◆ Protection level (dust and water)
- ◆ Flange mounting is optional
- ◆ Operating temperature
- ◆ Support mixed high speed data transmission(including Ethernet, USB, Profibus, Ethercat, CANOPEN, CANBUS, RS232, RS485, etc.)
- ◆ Fluidic rotary joints, FORJ and electric slip ring can be mixed.

Standard Model for HG series

Model	No. of Rings	ID(mm)	OD(mm)	Rated Current	Rated Voltage
HG1233	1-12	12	33	2A	0~240V
HG1254	1-24	12.7	54	5A	0~240V
HG2060	1-10	20	60	2A~10A	0~380V
HG2578	1-48	25.4	78	2A~10A	0~380V
HG3899	1-48	38.1	99	2A~15A	0~380V
HG5075	1-10	50	75	2A~12A	0~380V
HG50120	1-72	50	120	5A~20A	0~380V
HG60135	1-96	60	135	5A~20A	0~380V
HG70155	1-96	70	155	5A~20A	0~380V
HG80180	1-96	80	180	5A~20A	0~380V
HG90190	1-96	90	190	5A~20A	0~380V
HG100203	1-96	100	203	5A~20A	0~380V
HG120250	1-96	120	250	5A~20A	0~380V
HG150300	1-96	150	300	5A~20A	0~380V
HG180332	1-96	180	332	5A~20A	0~380V
HG200350	1-96	200	350	5A~20A	0~380V
HG250407	1-96	250	407	5A~20A	0~380V
HG300490	1-96	300	490	5A~20A	0~380V
HG400632	1-96	400	632	5A~20A	0~380V

Product Code

For standard versions **HG XXX XXX – XP/XS –XXX**

① ② ③ ④ ⑤ ⑥

① Through hole slip ring

② Inner dimension of housing Eg, XXX= 100, the ID is 100mm

③ Outer dimension of housing Eg, XXX= 203, the OD is 203mm

④ Number of power rings Eg, XP= 3P, the number of power rings is 3, P=10A, P1=15A, P2=20A

⑤ Number of signal circuits Eg, XS= 2S, the number of signal rings is 2

⑥ Customer special options

Specifications

Electrical Data			Mechanical Data	
	Power	Signal	Max. Speed	0-250 rpm
Rated Current	10~20A/ring	2~5A/ring	Working Temperature	-20°C~+80°C
Rated Voltage	0~380VAC/VDC	0~240VAC/VDC	Working Humidity	0-85% RH
Insulation Resistance	≥500MΩ/500VDC	≥500MΩ/500VDC	Structure Material	Engineering plastic or metal
Dielectric Strength	500VAC@50Hz,60s	500VAC@50Hz,60s	Contact material	Precious metal
Wire Size	Sliver plated Teflon AWG16(10A), AWG14(20A)	Sliver plated Teflon AWG26(2A), AWG22(5A)	Operating Torque	0.1N·m for 6 rings, 0.03 N·m increased for every 6 rings added
Wire Length	Standard 500mm(adjustable)			
Dynamic Resistance	<0.01Ω		Protection level	IP51

Lead Wires Color Code

Ring#	1	2	3	4	5	6	7	8	9	10	11	12
Color	RED	YEL	BLK	BLU	GRN	WHT	PUP	GRY	BRN	ORN	DBLU	KHK

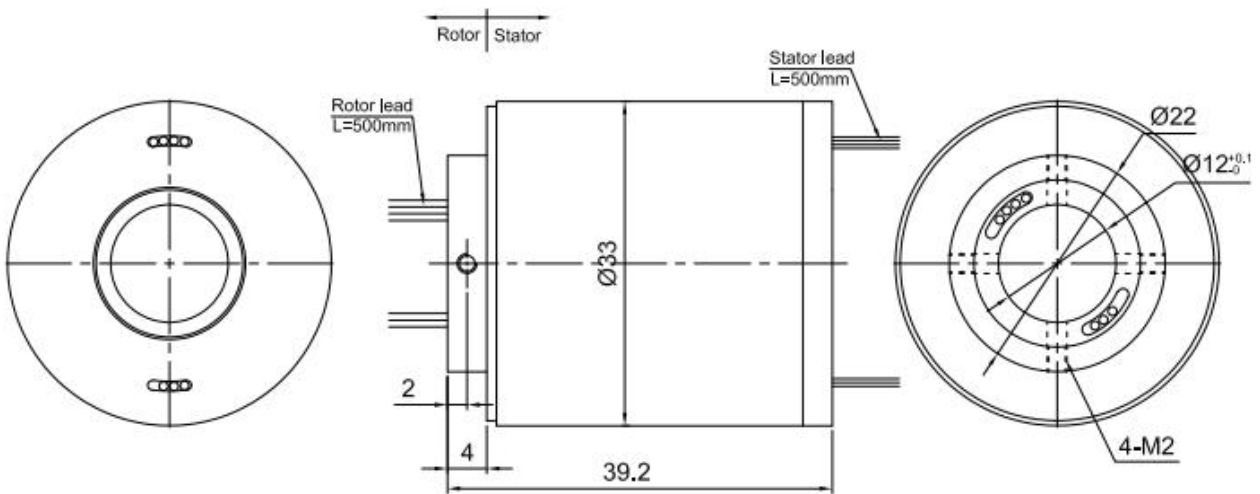
HG1233 Series

HG1233 series with through hole 12mm , OD33mm , suitable for rotating application which requires a through hole $\leq 12\text{mm}$.

Standard model supports 1-12rings signal(0~2A/ring)



Drawing for Outline Dimension



Model List

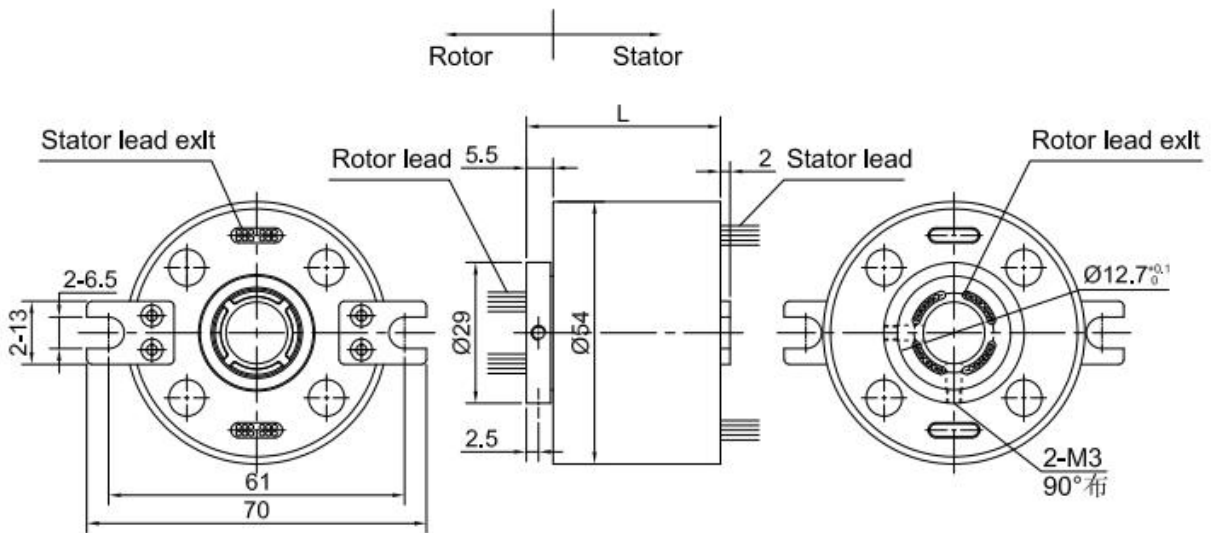
Model	Number of Rings	Rated Current	Rated Voltage	Length (mm)
HG1233-2	2	2A	0~240V	39.2
HG1233-3	3	2A	0~240V	39.2
HG1233-4	4	2A	0~240V	39.2
HG1233-6	6	2A	0~240V	39.2
HG1233-8	8	2A	0~240V	39.2
HG1233-10	10	2A	0~240V	39.2
HG1233-12	12	2A	0~240V	39.2

HG1254 Series

HG1254 series with through hole 12.7mm, OD54mm, suitable for rotating application which requires a through hole $\leq 12.7\text{mm}$
 Standard model supports 1-24rings signal(0~5A/ring)



Drawing for Outline Dimension



Model List

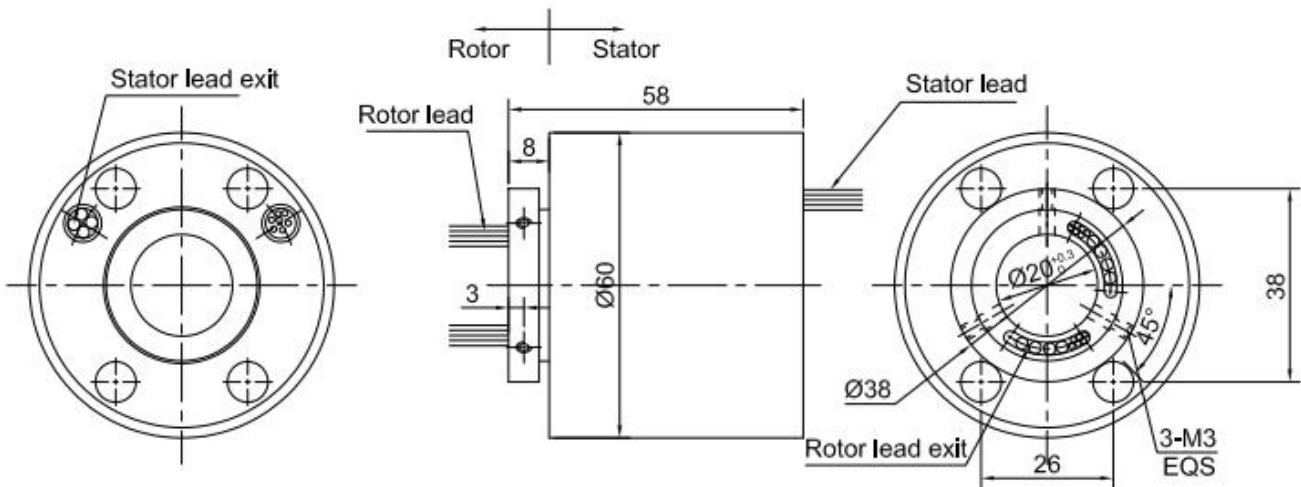
Model	Number of Rings	Rated Current	Rated Voltage	Length L(mm)
HG1254-6	6	5A	0~240V	36.8
HG1254-12	12	5A	0~240V	52.4
HG1254-18	18	5A	0~240V	66.2
HG1254-24	24	5A	0~240V	80.0

HG2060 Series

HG2060 series with through hole 20mm, OD60mm, suitable for rotating application which requires a through hole $\leq 20\text{mm}$
 Standard model supports 1-24 power rings(0-10A/ring) or 1-48 signal rings(0~5A/ring)



Drawing for Outline Dimension



Model List

Model	Power Ring(10A)	Signal Ring(5A)	Length L(mm)
HG2060-2P/6S	2	6	58
HG2060-2P/8S	2	8	58
HG2060-3P/7S	3	7	58
HG2060-4P/6S	4	6	58

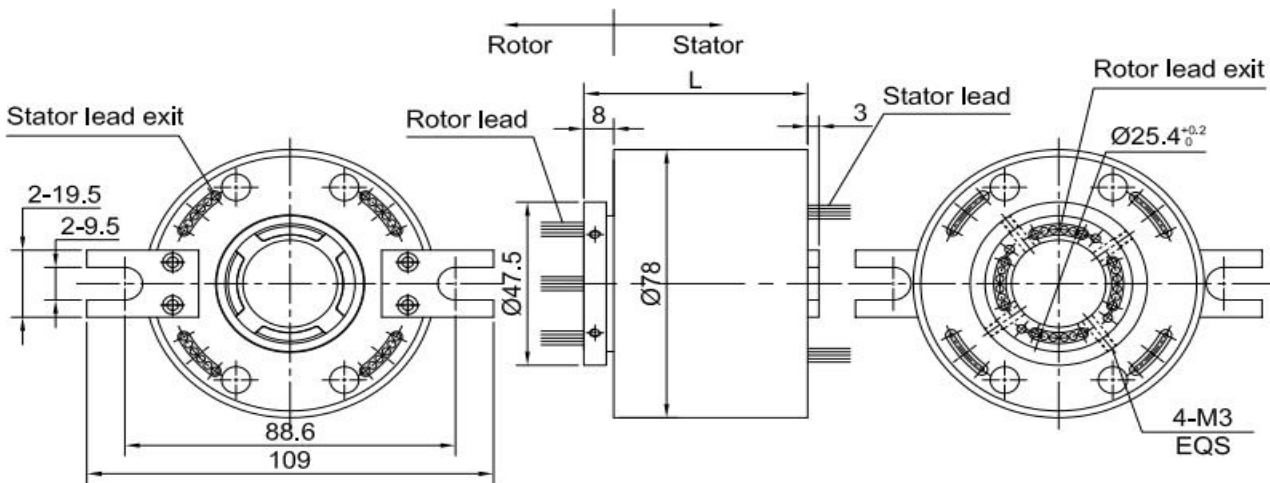
HG2578 Series

HG2578 series with through hole 25.4mm, OD78mm, suitable for rotating application which requires a through hole ≤ 25.4 mm

Standard model supports 1-24 power rings(0-10A/ring) or 1-48 signal rings(0~5A/ring)



Drawing for Outline Dimension



Model List

Model	Power Ring(10A)	Signal Ring(5A)	Length L(mm)
HG2578-6P	6	-	55
HG2578-12S	-	12	55
HG2578-12P	12	-	79
HG2578-6P/12S	6	12	79
HG2578-24S	-	24	79
HG2578-18P	18	-	103
HG2578-12P/12S	12	12	103
HG2578-6P/24S	6	24	103
HG2578-36S	-	36	103
HG2578-24P	24	-	127
HG2578-18P/12S	18	12	127
HG2578-12P/24S	12	24	127
HG2578-6P/36S	6	36	127
HG2578-48S	-	48	127

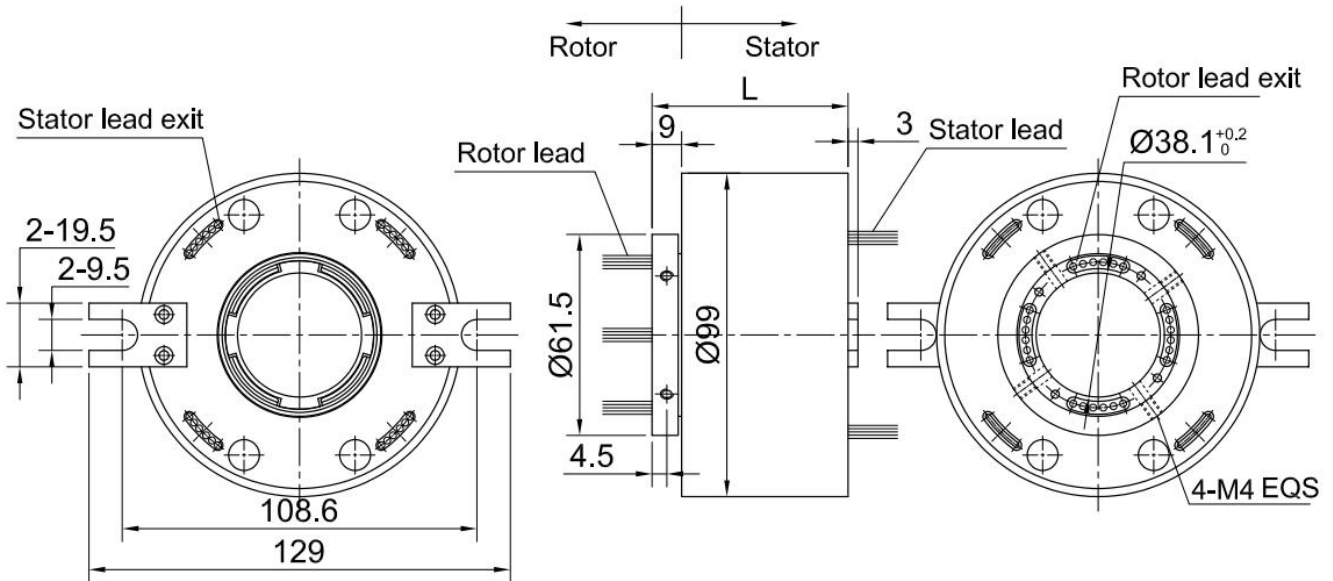
HG3899 Series

HG3899 series with through hole 38.1mm, OD99mm, suitable for rotating application which requires a through hole $\leq 38.1\text{mm}$

Standard model supports 1-24 power rings(0-15A/ring) or 1-48 signal rings(0~5A/ring)



Drawing for Outline Dimension



Model List

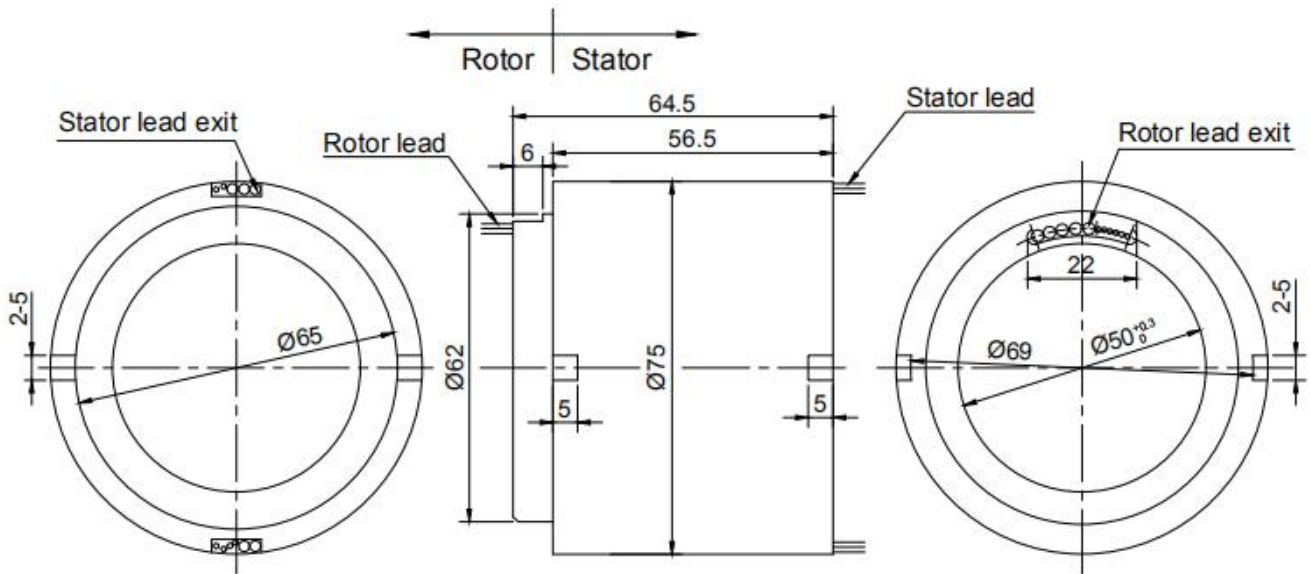
Model	Power Ring(10A/15A)	Signal Ring(5A)	Length L(mm)
HG3899-6P	6	-	55
HG3899-12S	-	12	55
HG3899-12P	12	-	79
HG3899-6P/12S	6	12	79
HG3899-24S	-	24	79
HG3899-18P	18	-	103
HG3899-12P/12S	12	12	103
HG3899-6P/24S	6	24	103
HG3899-36S	-	36	103
HG3899-24P	24	-	127
HG3899-18P/12S	18	12	127
HG3899-12P/24S	12	24	127
HG3899-6P/36S	6	36	127
HG3899-48S	-	48	127

HG5075 Series

HG5075 series with through hole 50mm, OD75mm, suitable for rotating application which requires a through hole $\leq 50\text{mm}$
 Standard model supports 1-24 power rings(0-12A/ring) or 1-48 signal rings(0~5A/ring)



Drawing for Outline Dimension



Model List

Model	Power Ring(10A)	Signal Ring(5A)	Length L(mm)
HG5075-10S	-	10	64.5
HG5075-2P/8S	2	8	64.5
HG5075-3P/7S	3	7	64.5

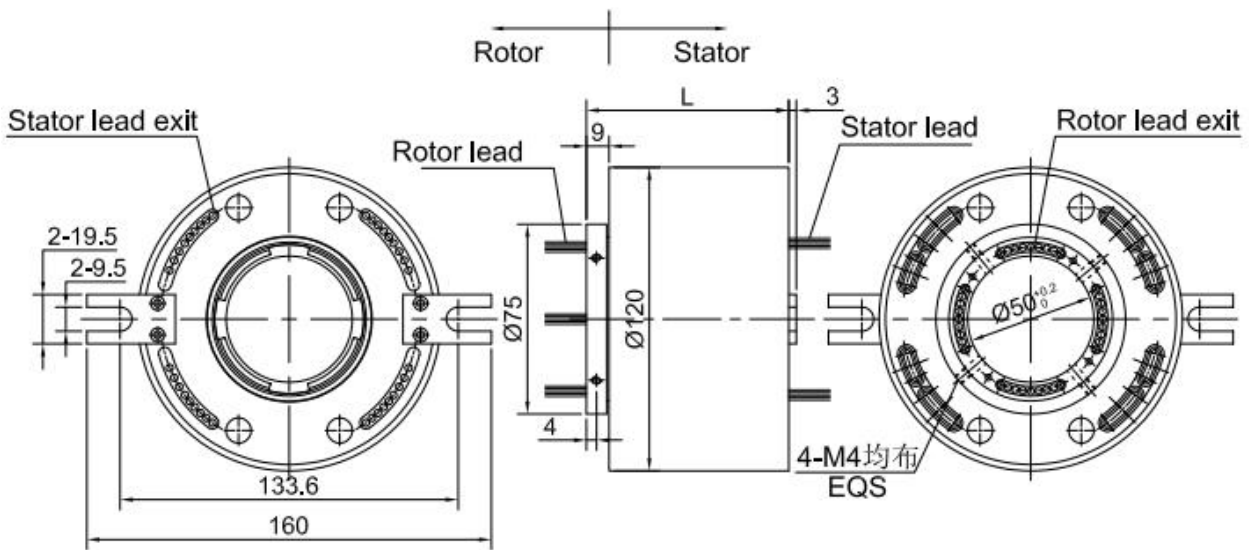
HG50120 Series

HG50120 series with through hole 50mm, OD120mm, suitable for rotating application which requires a through hole $\leq 50\text{mm}$

Standard model supports 1-36 power rings(0-20A/ring) or 1-72 signal rings(0~5A/ring)



Drawing for Outline Dimension



Model List

Model	Power Ring(10A/15A/20A)	Signal Ring(5A)	Length L(mm)
HG50120-6P	6	-	69.5
HG50120-12S	-	12	69.5
HG50120-12P	12	-	99.5
HG50120-6P/12S	6	12	99.5
HG50120-24S	-	24	99.5
HG50120-18P	18	-	129.5
HG50120-12P/12S	12	12	129.5
HG50120-6P/24S	6	24	129.5
HG50120-36S	-	36	129.5
HG50120-24P	24	-	159.5
HG50120-18P/12S	18	12	159.5
HG50120-12P/24S	12	24	159.5
HG50120-6P/36S	6	36	159.5
HG50120-48S	-	48	159.5
HG50120-30P	30	-	189.5

HG50120-24P/12S	24	12	189.5
HG50120-18P/24S	18	24	189.5
HG50120-12P/36S	12	36	189.5
HG50120-6P/48S	6	48	189.5
HG50120-60S	-	60	189.5
HG50120-36P	36	-	219.5
HG50120-30P/12S	30	12	219.5
HG50120-24P/24S	24	24	219.5
HG50120-18P/36S	18	36	219.5
HG50120-12P/48S	12	48	219.5
HG50120-6P/60S	6	60	219.5
HG50120-72S	-	72	219.5

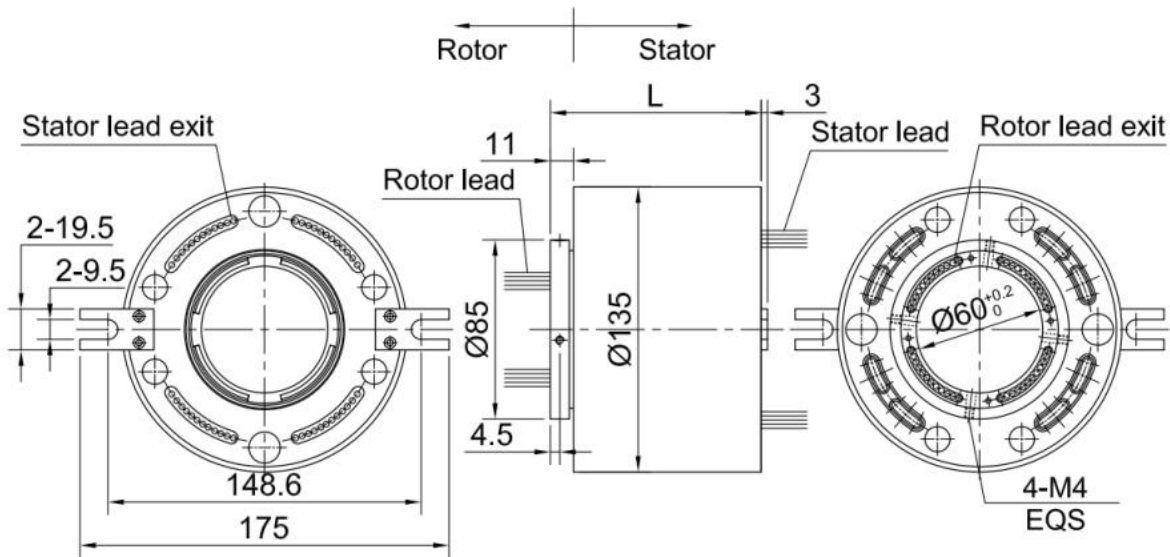
HG60135 Series

HG60135 series with through hole 60mm, OD135mm, suitable for rotating application which requires a through hole ≤ 60 mm

Standard model supports 1-48 power rings(0-20A/ring) or 1-96 signal rings(0~5A/ring)



Drawing for Outline Dimension



Model List

Model	Power Ring (10A/15A/20A)	Signal Ring(5A)	Length L(mm)
HG60135-6P	6	-	77.5
HG60135-12S	-	12	77.5
HG60135-12P	12	-	107.5
HG60135-6P/12S	6	12	107.5
HG60135-24S	-	24	107.5
HG60135-18P	18	-	137.5
HG60135-12P/12S	12	12	137.5
HG60135-6P/24S	6	24	137.5
HG60135-36S	-	36	137.5
HG60135-24P	24	-	167.5
HG60135-18P/12S	18	12	167.5
HG60135-12P/24S	12	24	167.5
HG60135-6P/36S	6	36	167.5
HG60135-48S	-	48	167.5
HG60135-30P	30	-	197.5

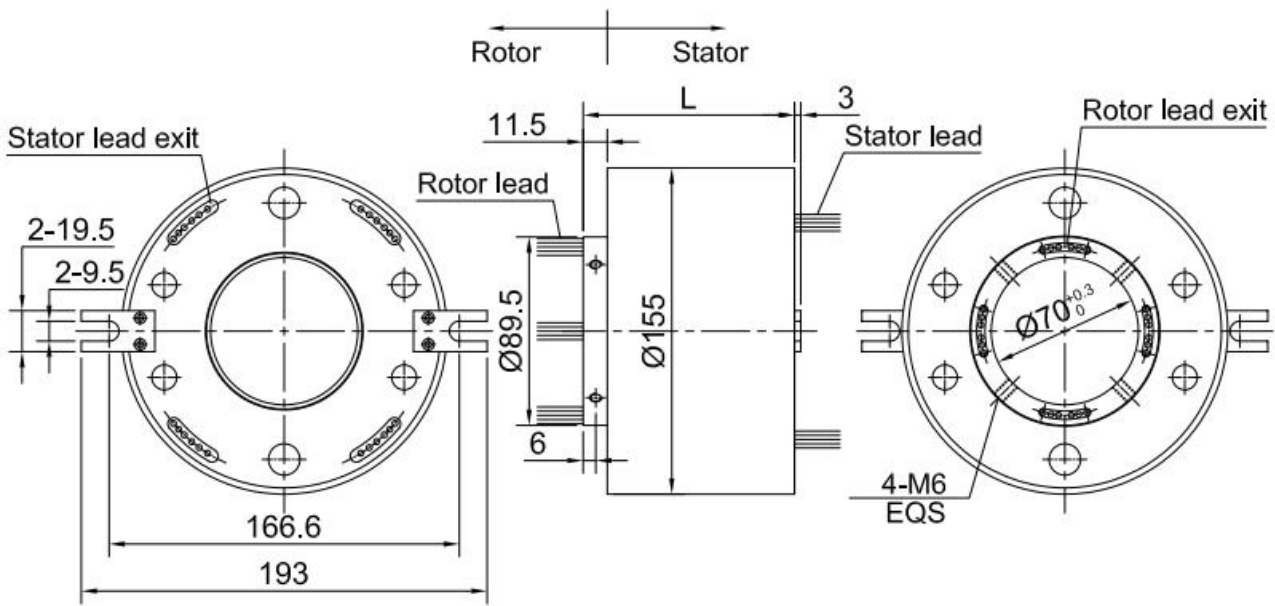
HG60135-24P/12S	24	12	197.5
HG60135-18P/24S	18	24	197.5
HG60135-12P/36S	12	36	197.5
HG60135-6P/48S	6	48	197.5
HG60135-60S	-	60	197.5
HG60135-36P	36	-	227.5
HG60135-30P/12S	30	12	227.5
HG60135-24P/24S	24	24	227.5
HG60135-18P/36S	18	36	227.5
HG60135-12P/48S	12	48	227.5
HG60135-6P/60S	6	60	227.5
HG60135-72S	-	72	227.5
HG60135-42P	42	-	257.5
HG60135-36P/12S	36	12	257.5
HG60135-30P/24S	30	24	257.5
HG60135-24P/36S	24	36	257.5
HG60135-18P/48S	18	48	257.5
HG60135-12P/60S	12	60	257.5
HG60135-6P/72S	6	72	257.5
HG60135-84S	-	84	257.5
HG60135-48P	48	-	287.5
HG60135-42P/12S	42	12	287.5
HG60135-36P/24S	36	24	287.5
HG60135-30P/36S	30	36	287.5
HG60135-24P/48S	24	48	287.5
HG60135-18P/60S	18	60	287.5
HG60135-12P/72S	12	72	287.5
HG60135-6P/84S	6	84	287.5
HG60135-96S	-	96	287.5

HG70155 Series

HG70155 series with through hole 70mm, OD155mm, suitable for rotating application which requires a through hole ≤ 70 mm
 Standard model supports 1-48 power rings(0-20A/ring) or 1-96 signal rings(0~5A/ring)



Drawing for Outline Dimension



Model List

Model	Power Ring (10A/15A/20A)	Signal Ring(5A)	Length L(mm)
HG70155-6P	6	-	80.8
HG70155-12S	-	12	80.8
HG70155-12P	12	-	110.8
HG70155-6P/12S	6	12	110.8
HG70155-24S	-	24	110.8
HG70155-18P	18	-	140.8
HG70155-12P/12S	12	12	140.8
HG70155-6P/24S	6	24	140.8
HG70155-36S	-	36	140.8
HG70155-24P	24	-	170.8
HG70155-18P/12S	18	12	170.8
HG70155-12P/24S	12	24	170.8
HG70155-6P/36S	6	36	170.8
HG70155-48S	-	48	170.8

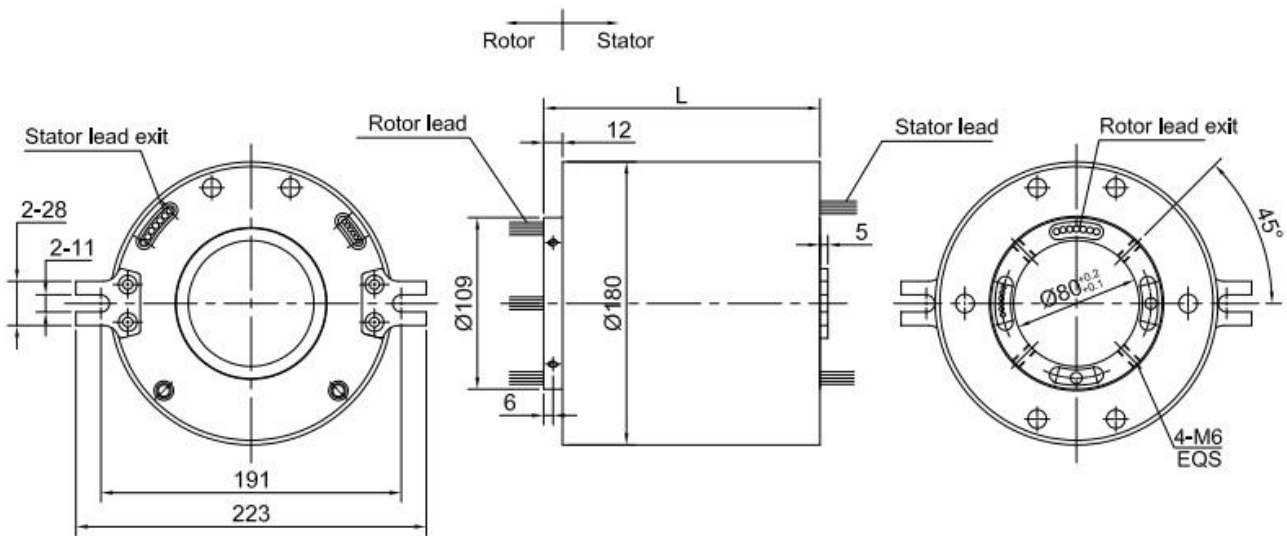
HG70155-30P	30	-	200.8
HG70155-24P/12S	24	12	200.8
HG70155-18P/24S	18	24	200.8
HG70155-12P/36S	12	36	200.8
HG70155-6P/48S	6	48	200.8
HG70155-60S	-	60	200.8
HG70155-36P	36	-	230.8
HG70155-30P/12S	30	12	230.8
HG70155-24P/24S	24	24	230.8
HG70155-18P/36S	18	36	230.8
HG70155-12P/48S	12	48	230.8
HG70155-6P/60S	6	60	230.8
HG70155-72S	-	72	230.8
HG70155-42P	42	-	260.8
HG70155-36P/12S	36	12	260.8
HG70155-30P/24S	30	24	260.8
HG70155-24P/36S	24	36	260.8
HG70155-18P/48S	18	48	260.8
HG70155-12P/60S	12	60	260.8
HG70155-6P/72S	6	72	260.8
HG70155-84S	-	84	260.8
HG70155-48P	48	-	290.8
HG70155-42P/12S	42	12	290.8
HG70155-36P/24S	36	24	290.8
HG70155-30P/36S	30	36	290.8
HG70155-24P/48S	24	48	290.8
HG70155-18P/60S	18	60	290.8
HG70155-12P/72S	12	72	290.8
HG70155-6P/84S	6	84	290.8
HG70155-96S	-	96	290.8

HG80180 Series

HG80180 series with through hole 80mm, OD180mm, suitable for rotating application which requires a through hole $\leq 80\text{mm}$
 Standard model supports 1-48 power rings(0-20A/ring) or 1-96 signal rings(0~5A/ring)



Drawing for Outline Dimension



Model List

Model	Power Ring (10A/15A/20A)	Signal Ring(5A)	Length L(mm)
HG80180-6P	6	-	88.5
HG80180-12S	-	12	88.5
HG80180-12P	12	-	118.5
HG80180-6P/12S	6	12	118.5
HG80180-24S	-	24	118.5
HG80180-18P	18	-	148.5
HG80180-12P/12S	12	12	148.5
HG80180-6P/24S	6	24	148.5
HG80180-36S	-	36	148.5
HG80180-24P	24	-	178.5
HG80180-18P/12S	18	12	178.5
HG80180-12P/24S	12	24	178.5
HG80180-6P/36S	6	36	178.5
HG80180-48S	-	48	178.5

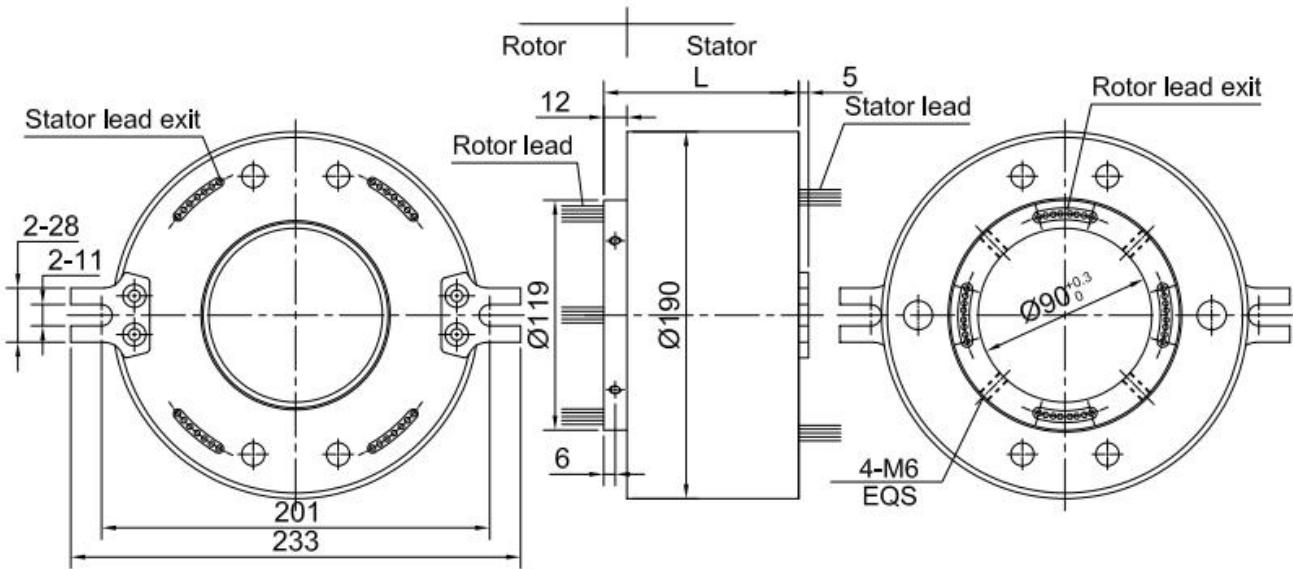
HG80180-30P	30	-	208.5
HG80180-24P/12S	24	12	208.5
HG80180-18P/24S	18	24	208.5
HG80180-12P/36S	12	36	208.5
HG80180-6P/48S	6	48	208.5
HG80180-60S	-	60	208.5
HG80180-36P	36	-	238.5
HG80180-30P/12S	30	12	238.5
HG80180-24P/24S	24	24	238.5
HG80180-18P/36S	18	36	238.5
HG80180-12P/48S	12	48	238.5
HG80180-6P/60S	6	60	238.5
HG80180-72S	-	72	238.5
HG80180-42P	42	-	268.5
HG80180-36P/12S	36	12	268.5
HG80180-30P/24S	30	24	268.5
HG80180-24P/36S	24	36	268.5
HG80180-18P/48S	18	48	268.5
HG80180-12P/60S	12	60	268.5
HG80180-6P/72S	6	72	268.5
HG80180-84S	-	84	268.5
HG80180-48P	48	-	298.5
HG80180-42P/12S	42	12	298.5
HG80180-36P/24S	36	24	298.5
HG80180-30P/36S	30	36	298.5
HG80180-24P/48S	24	48	298.5
HG80180-18P/60S	18	60	298.5
HG80180-12P/72S	12	72	298.5
HG80180-6P/84S	6	84	298.5
HG80180-96S	-	96	298.5

HG90190 Series

HG90190 series with through hole 90mm, OD190mm, suitable for rotating application which requires a through hole $\leq 90\text{mm}$
 Standard model supports 1-48 power rings(0-20A/ring) or 1-96 signal rings(0~5A/ring)



Drawing for Outline Dimension



Model List

Model	Power Ring (10A/15A/20A)	Signal Ring(5A)	Length L(mm)
HG90190-6P	6	-	88.5
HG90190-12S	-	12	88.5
HG90190-12P	12	-	118.5
HG90190-6P/12S	6	12	118.5
HG90190-24S	-	24	118.5
HG90190-18P	18	-	148.5
HG90190-12P/12S	12	12	148.5
HG90190-6P/24S	6	24	148.5
HG90190-36S	-	36	148.5
HG90190-24P	24	-	178.5
HG90190-18P/12S	18	12	178.5
HG90190-12P/24S	12	24	178.5
HG90190-6P/36S	6	36	178.5
HG90190-48S	-	48	178.5
HG90190-30P	30	-	208.5

HG90190-24P/12S	24	12	208.5
HG90190-18P/24S	18	24	208.5
HG90190-12P/36S	12	36	208.5
HG90190-6P/48S	6	48	208.5
HG90190-60S	-	60	208.5
HG90190-36P	36	-	238.5
HG90190-30P/12S	30	12	238.5
HG90190-24P/24S	24	24	238.5
HG90190-18P/36S	18	36	238.5
HG90190-12P/48S	12	48	238.5
HG90190-6P/60S	6	60	238.5
HG90190-72S	-	72	238.5
HG90190-42P	42	-	268.5
HG90190-36P/12S	36	12	268.5
HG90190-30P/24S	30	24	268.5
HG90190-24P/36S	24	36	268.5
HG90190-18P/48S	18	48	268.5
HG90190-12P/60S	12	60	268.5
HG90190-6P/72S	6	72	268.5
HG90190-84S	-	84	268.5
HG90190-48P	48	-	298.5
HG90190-42P/12S	42	12	298.5
HG90190-36P/24S	36	24	298.5
HG90190-30P/36S	30	36	298.5
HG90190-24P/48S	24	48	298.5
HG90190-18P/60S	18	60	298.5
HG90190-12P/72S	12	72	298.5
HG90190-6P/84S	6	84	298.5
HG90190-96S	-	96	298.5

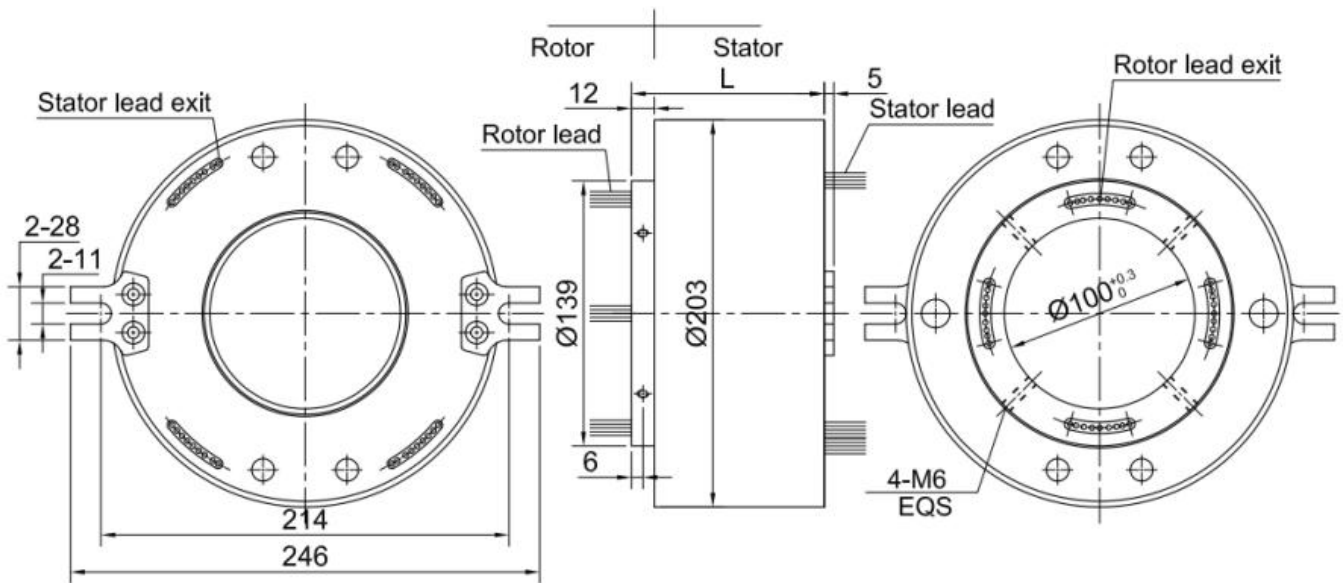
HG100203 Series

HG100203 series with through hole 100mm, OD203mm, suitable for rotating application which requires a through hole $\leq 100\text{mm}$

Standard model supports 1-48 power rings(0-20A/ring) or 1-96 signal rings(0~5A/ring)



Drawing for Outline Dimension



Model List

Model	Power Ring (10A/15A/20A)	Signal Ring(5A)	Length L(mm)
HG100203-6P	6	-	88.5
HG100203-12S	-	12	88.5
HG100203-12P	12	-	118.5
HG100203-6P/12S	6	12	118.5
HG100203-24S	-	24	118.5
HG100203-18P	18	-	148.5
HG100203-12P/12S	12	12	148.5
HG100203-6P/24S	6	24	148.5
HG100203-36S	-	36	148.5
HG100203-24P	24	-	178.5
HG100203-18P/12S	18	12	178.5
HG100203-12P/24S	12	24	178.5

HG100203-6P/36S	6	36	178.5
HG100203-48S	-	48	178.5
HG100203-30P	30	-	208.5
HG100203-24P/12S	24	12	208.5
HG100203-18P/24S	18	24	208.5
HG100203-12P/36S	12	36	208.5
HG100203-6P/48S	6	48	208.5
HG100203-60S	-	60	208.5
HG100203-36P	36	-	238.5
HG100203-30P/12S	30	12	238.5
HG100203-24P/24S	24	24	238.5
HG100203-18P/36S	18	36	238.5
HG100203-12P/48S	12	48	238.5
HG100203-6P/60S	6	60	238.5
HG100203-72S	-	72	238.5
HG100203-42P	42	-	268.5
HG100203-36P/12S	36	12	268.5
HG100203-30P/24S	30	24	268.5
HG100203-24P/36S	24	36	268.5
HG100203-18P/48S	18	48	268.5
HG100203-12P/60S	12	60	268.5
HG100203-6P/72S	6	72	268.5
HG100203-84S	-	84	268.5
HG100203-48P	48	-	298.5
HG100203-42P/12S	42	12	298.5
HG100203-36P/24S	36	24	298.5
HG100203-30P/36S	30	36	298.5
HG100203-24P/48S	24	48	298.5
HG100203-18P/60S	18	60	298.5
HG100203-12P/72S	12	72	298.5
HG100203-6P/84S	6	84	298.5
HG100203-96S	-	96	298.5

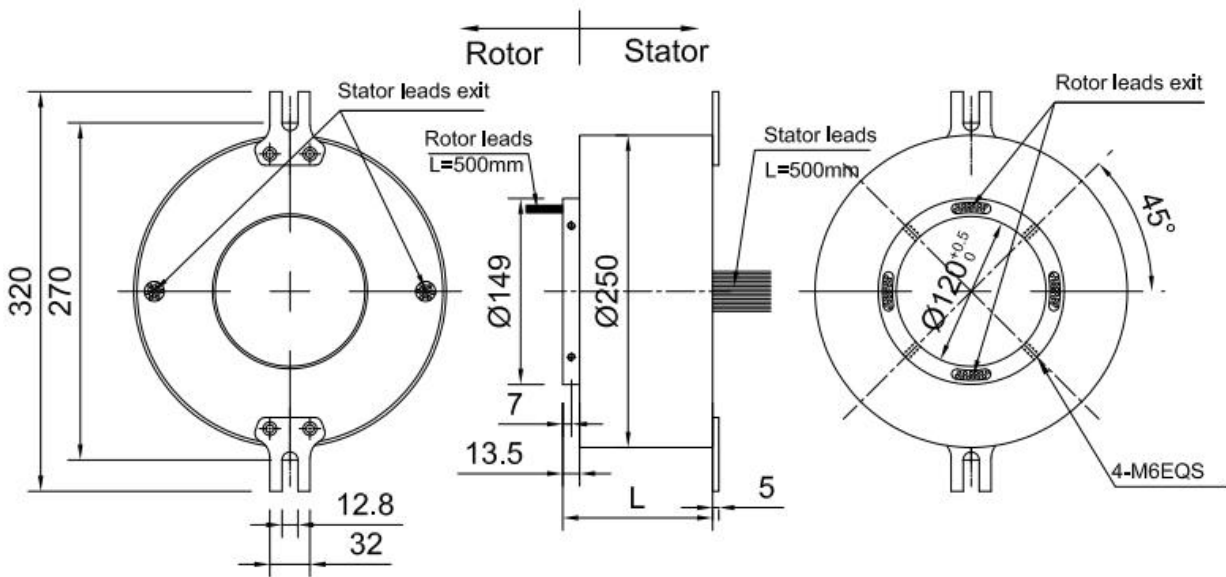
HG120250 Series

HG120250 series with through hole 120mm, OD250mm, suitable for rotating application which requires a through hole $\leq 120\text{mm}$

Standard model supports 1-48 power rings(0-20A/ring) or 1-96 signal rings(0~5A/ring)



Drawing for Outline Dimension



Model List

Model	Power Ring (10A/15A/20A)	Signal Ring(5A)	Length L(mm)
HG120250-6P	6	-	120
HG120250-12S	-	12	120
HG120250-12P	12	-	162
HG120250-6P/12S	6	12	162
HG120250-24S	-	24	162
HG120250-18P	18	-	204
HG120250-12P/12S	12	12	204
HG120250-6P/24S	6	24	204
HG120250-36S	-	36	204
HG120250-24P	24	-	246
HG120250-18P/12S	18	12	246
HG120250-12P/24S	12	24	246
HG120250-6P/36S	6	36	246
HG120250-48S	-	48	246

HG120250-30P	30	-	288
HG120250-24P/12S	24	12	288
HG120250-18P/24S	18	24	288
HG120250-12P/36S	12	36	288
HG120250-6P/48S	6	48	288
HG120250-60S	-	60	288
HG120250-36P	36	-	330
HG120250-30P/12S	30	12	330
HG120250-24P/24S	24	24	330
HG120250-18P/36S	18	36	330
HG120250-12P/48S	12	48	330
HG120250-6P/60S	6	60	330
HG120250-72S	-	72	330
HG120250-42P	42	-	372
HG120250-36P/12S	36	12	372
HG120250-30P/24S	30	24	372
HG120250-24P/36S	24	36	372
HG120250-18P/48S	18	48	372
HG120250-12P/60S	12	60	372
HG120250-6P/72S	6	72	372
HG120250-84S	-	84	372
HG120250-48P	48	-	414
HG120250-42P/12S	42	12	414
HG120250-36P/24S	36	24	414
HG120250-30P/36S	30	36	414
HG120250-24P/48S	24	48	414
HG120250-18P/60S	18	60	414
HG120250-12P/72S	12	72	414
HG120250-6P/84S	6	84	414
HG120250-96S	-	96	414

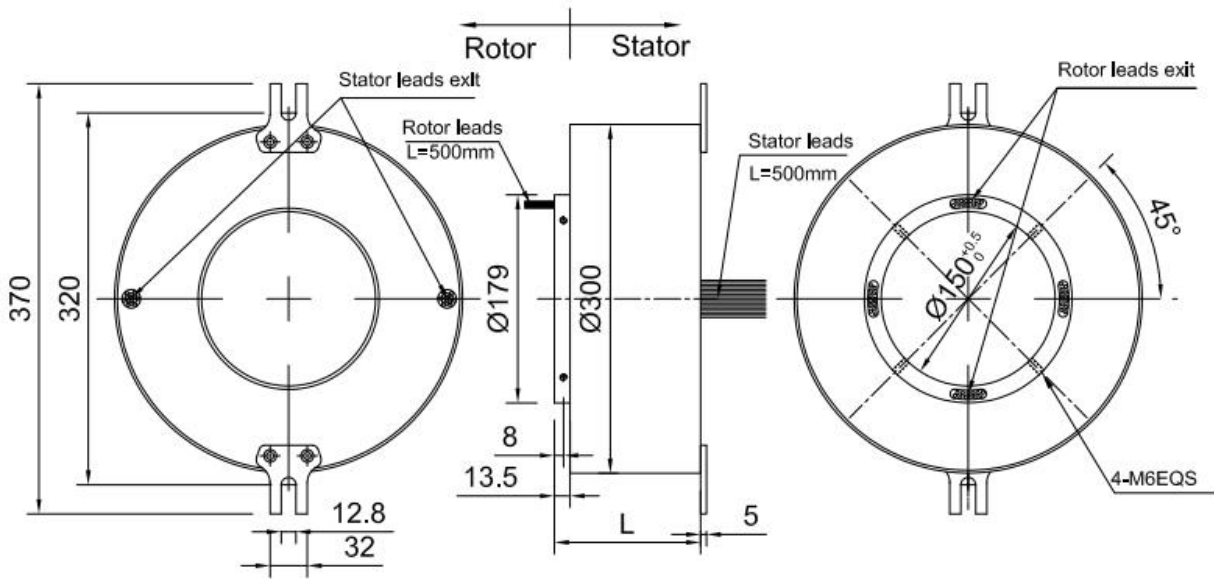
HG150300 Series

HG150300 series with through hole 150mm, OD300mm, suitable for rotating application which requires a through hole $\leq 150\text{mm}$

Standard model supports 1-48 power rings(0-20A/ring) or 1-96 signal rings(0~5A/ring)



Drawing for Outline Dimension



Model List

Model	Power Ring (10A/15A/20A)	Signal Ring(5A)	Length L(mm)
HG150300-6P	6	-	126
HG150300-12S	-	12	126
HG150300-12P	12	-	168
HG150300-6P/12S	6	12	168
HG150300-24S	-	24	168
HG150300-18P	18	-	210
HG150300-12P/12S	12	12	210
HG150300-6P/24S	6	24	210
HG150300-36S	-	36	210
HG150300-24P	24	-	252
HG150300-18P/12S	18	12	252
HG150300-12P/24S	12	24	252
HG150300-6P/36S	6	36	252
HG150300-48S	-	48	252
HG150300-30P	30	-	294

HG150300-24P/12S	24	12	294
HG150300-18P/24S	18	24	294
HG150300-12P/36S	12	36	294
HG150300-6P/48S	6	48	294
HG150300-60S	-	60	294
HG150300-36P	36	-	336
HG150300-30P/12S	30	12	336
HG150300-24P/24S	24	24	336
HG150300-18P/36S	18	36	336
HG150300-12P/48S	12	48	336
HG150300-6P/60S	6	60	336
HG150300-72S	-	72	336
HG150300-42P	42	-	378
HG150300-36P/12S	36	12	378
HG150300-30P/24S	30	24	378
HG150300-24P/36S	24	36	378
HG150300-18P/48S	18	48	378
HG150300-12P/60S	12	60	378
HG150300-6P/72S	6	72	378
HG150300-84S	-	84	378
HG150300-48P	48	-	420
HG150300-42P/12S	42	12	420
HG150300-36P/24S	36	24	420
HG150300-30P/36S	30	36	420
HG150300-24P/48S	24	48	420
HG150300-18P/60S	18	60	420
HG150300-12P/72S	12	72	420
HG150300-6P/84S	6	84	420
HG150300-96S	-	96	420

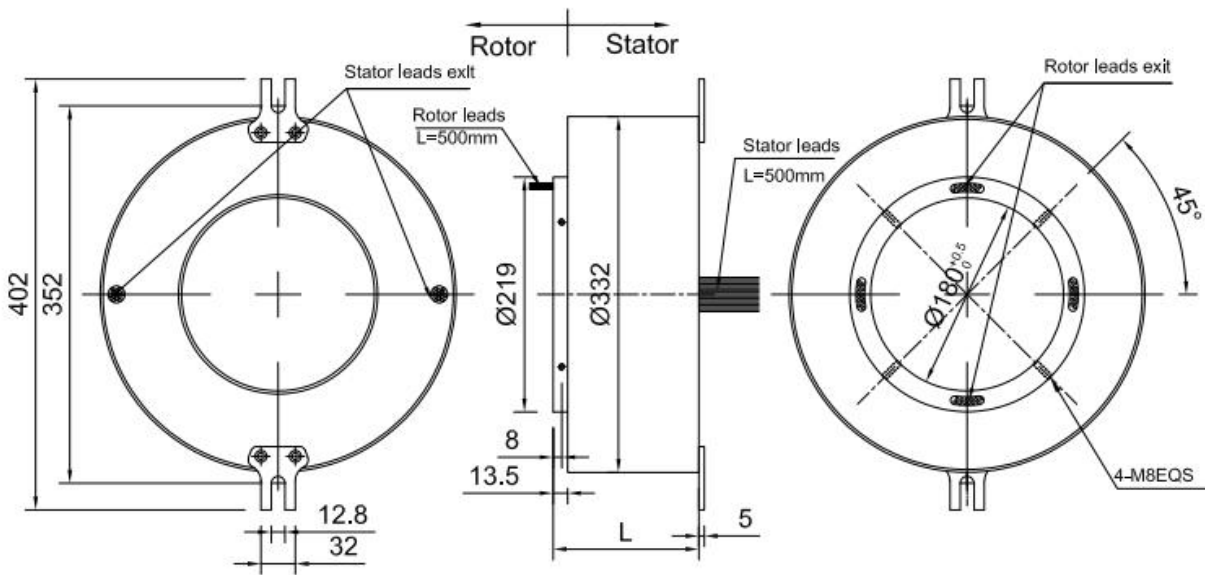
HG180332Series

HG180332 series with through hole 180mm, OD332mm, suitable for rotating application which requires a through hole ≤ 180 mm

Standard model supports 1-48 power rings(0-20A/ring) or 1-96 signal rings(0~5A/ring)



Drawing for Outline Dimension



Model List

Model	Power Ring (10A/15A/20A)	Signal Ring(5A)	Length L(mm)
HG180332-6P	6	-	136
HG180332-12S	-	12	136
HG180332-12P	12	-	184
HG180332-6P/12S	6	12	184
HG180332-24S	-	24	184
HG180332-18P	18	-	232
HG180332-12P/12S	12	12	232
HG180332-6P/24S	6	24	232
HG180332-36S	-	36	232
HG180332-24P	24	-	280
HG180332-18P/12S	18	12	280
HG180332-12P/24S	12	24	280
HG180332-6P/36S	6	36	280
HG180332-48S	-	48	280

HG180332-30P	30	-	322
HG180332-24P/12S	24	12	322
HG180332-18P/24S	18	24	322
HG180332-12P/36S	12	36	322
HG180332-6P/48S	6	48	322
HG180332-60S	-	60	322
HG180332-36P	36	-	364
HG180332-30P/12S	30	12	364
HG180332-24P/24S	24	24	364
HG180332-18P/36S	18	36	364
HG180332-12P/48S	12	48	364
HG180332-6P/60S	6	60	364
HG180332-72S	-	72	364
HG180332-42P	42	-	406
HG180332-36P/12S	36	12	406
HG180332-30P/24S	30	24	406
HG180332-24P/36S	24	36	406
HG180332-18P/48S	18	48	406
HG180332-12P/60S	12	60	406
HG180332-6P/72S	6	72	406
HG180332-84S	-	84	406
HG180332-48P	48	-	448
HG180332-42P/12S	42	12	448
HG180332-36P/24S	36	24	448
HG180332-30P/36S	30	36	448
HG180332-24P/48S	24	48	448
HG180332-18P/60S	18	60	448
HG180332-12P/72S	12	72	448
HG180332-6P/84S	6	84	448
HG180332-96S	-	96	448

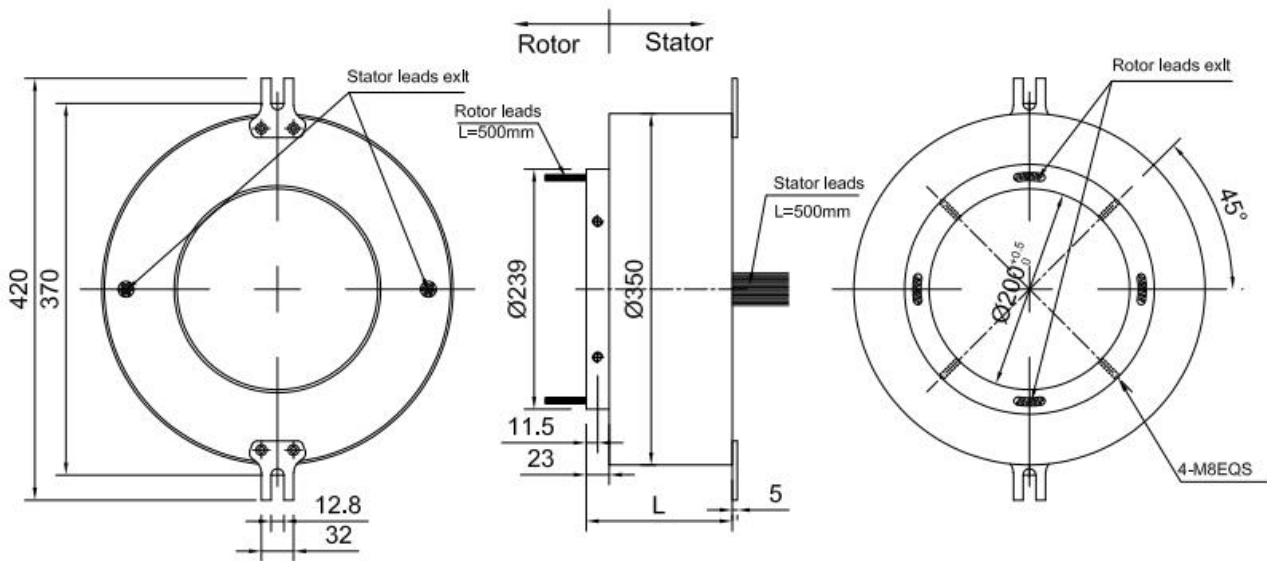
HG200350Series

HG200350 series with through hole 200mm, OD350mm, suitable for rotating application which requires a through hole $\leq 200\text{mm}$

Standard model supports 1-48 power rings(0-20A/ring) or 1-96 signal rings(0~5A/ring)



Drawing for Outline Dimension



Model List

Model	Power Ring (10A/15A/20A)	Signal Ring(5A)	Length L(mm)
HG200350-6P	6	-	145.5
HG200350-12S	-	12	145.5
HG200350-12P	12	-	193.5
HG200350-6P/12S	6	12	193.5
HG200350-24S	-	24	193.5
HG200350-18P	18	-	241.5
HG200350-12P/12S	12	12	241.5
HG200350-6P/24S	6	24	241.5
HG200350-36S	-	36	241.5
HG200350-24P	24	-	289.5
HG200350-18P/12S	18	12	289.5
HG200350-12P/24S	12	24	289.5
HG200350-6P/36S	6	36	289.5
HG200350-48S	-	48	289.5

HG200350-30P	30	-	337.5
HG200350-24P/12S	24	12	337.5
HG200350-18P/24S	18	24	337.5
HG200350-12P/36S	12	36	337.5
HG200350-6P/48S	6	48	337.8
HG200350-60S	-	60	337.5
HG200350-36P	36	-	385.5
HG200350-30P/12S	30	12	385.5
HG200350-24P/24S	24	24	385.5
HG200350-18P/36S	18	36	385.5
HG200350-12P/48S	12	48	385.5
HG200350-6P/60S	6	60	385.5
HG200350-72S	-	72	385.5
HG200350-42P	42	-	433.5
HG200350-36P/12S	36	12	433.5
HG200350-30P/24S	30	24	433.5
HG200350-24P/36S	24	36	433.5
HG200350-18P/48S	18	48	433.5
HG200350-12P/60S	12	60	433.5
HG200350-6P/72S	6	72	433.5
HG200350-84S	-	84	433.5
HG200350-48P	48	-	481.5
HG200350-42P/12S	42	12	481.5
HG200350-36P/24S	36	24	481.5
HG200350-30P/36S	30	36	481.5
HG200350-24P/48S	24	48	481.5
HG200350-18P/60S	18	60	481.5
HG200350-12P/72S	12	72	481.5
HG200350-6P/84S	6	84	481.5
HG200350-96S	-	96	481.5

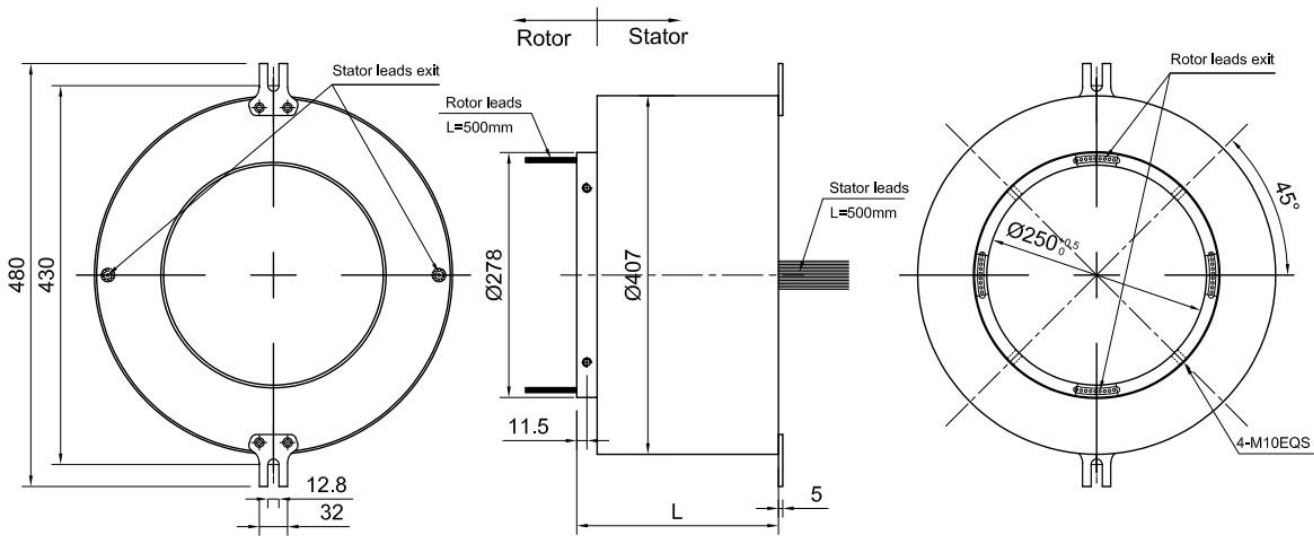
HG250407Series

HG250407 series with through hole 250mm, OD407mm, suitable for rotating application which requires a through hole $\leq 250\text{mm}$

Standard model supports 1-48 power rings(0-20A/ring) or 1-96 signal rings(0~5A/ring)



Drawing for Outline Dimension



Model List

Model	Power Ring (10A/15A/20A)	Signal Ring(5A)	Length L(mm)
HG250407-6P	6	-	146.5
HG250407-12S	-	12	146.5
HG250407-12P	12	-	194.5
HG250407-6P/12S	6	12	194.5
HG250407-24S	-	24	194.5
HG250407-18P	18	-	242.5
HG250407-12P/12S	12	12	242.5
HG250407-6P/24S	6	24	242.5
HG250407-36S	-	36	242.5
HG250407-24P	24	-	290.5
HG250407-18P/12S	18	12	290.5
HG250407-12P/24S	12	24	290.5
HG250407-6P/36S	6	36	290.5
HG250407-48S	-	48	290.5

HG250407-30P	30	-	338.5
HG250407-24P/12S	24	12	338.5
HG250407-18P/24S	18	24	338.5
HG250407-12P/36S	12	36	338.5
HG250407-6P/48S	6	48	338.5
HG250407-60S	-	60	338.5
HG250407-36P	36	-	386.5
HG250407-30P/12S	30	12	386.5
HG250407-24P/24S	24	24	386.5
HG250407-18P/36S	18	36	386.5
HG250407-12P/48S	12	48	386.5
HG250407-6P/60S	6	60	386.5
HG250407-72S	-	72	386.5
HG250407-42P	42	-	434.5
HG250407-36P/12S	36	12	434.5
HG250407-30P/24S	30	24	434.5
HG250407-24P/36S	24	36	434.5
HG250407-18P/48S	18	48	434.5
HG250407-12P/60S	12	60	434.5
HG250407-6P/72S	6	72	434.5
HG250407-84S	-	84	434.5
HG250407-48P	48	-	482.5
HG250407-42P/12S	42	12	482.5
HG250407-36P/24S	36	24	482.5
HG250407-30P/36S	30	36	482.5
HG250407-24P/48S	24	48	482.5
HG250407-18P/60S	18	60	482.5
HG250407-12P/72S	12	72	482.5
HG250407-6P/84S	6	84	482.5
HG250407-96S	-	96	482.5

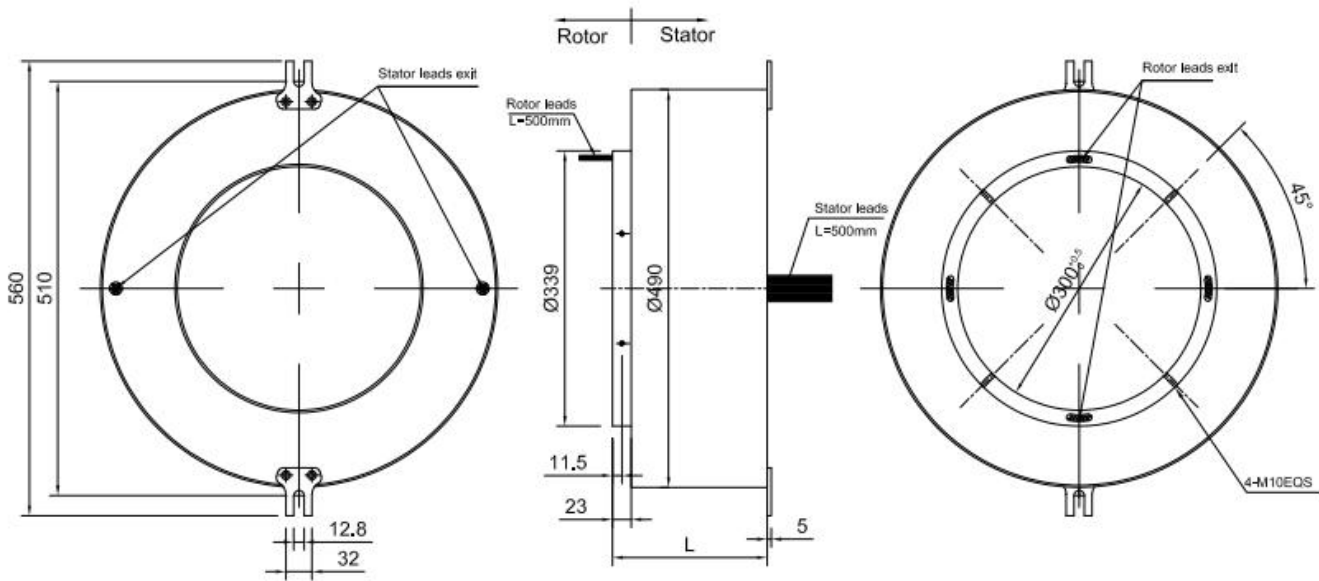


HG300490 Series

HG300490 series with through hole 300mm, OD490mm, suitable for rotating application which requires a through hole ≤ 300 mm

Standard model supports 1-48 power rings(0-20A/ring) or 1-96 signal rings(0~5A/ring)

Drawing for Outline Dimension



Model List

Model	Power Ring (10A/15A/20A)	Signal Ring(5A)	Length L(mm)
HG300490-6P	6	-	181
HG300490-12S	-	12	181
HG300490-12P	12	-	235
HG300490-6P/12S	6	12	235
HG300490-24S	-	24	235
HG300490-18P	18	-	289
HG300490-12P/12S	12	12	289
HG300490-6P/24S	6	24	289
HG300490-36S	-	36	289
HG300490-24P	24	-	343
HG300490-18P/12S	18	12	343
HG300490-12P/24S	12	24	343
HG300490-6P/36S	6	36	343
HG300490-48S	-	48	343

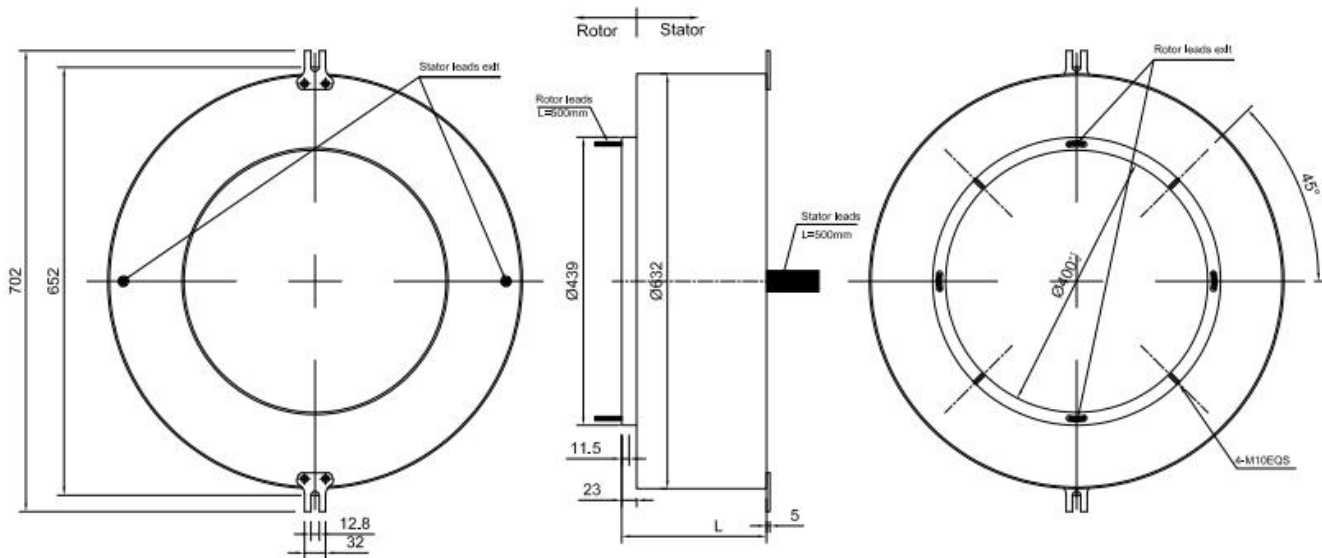
HG300490-30P	30	-	397
HG300490-24P/12S	24	12	397
HG300490-18P/24S	18	24	397
HG300490-12P/36S	12	36	397
HG300490-6P/48S	6	48	397
HG300490-60S	-	60	397
HG300490-36P	36	-	451
HG300490-30P/12S	30	12	451
HG300490-24P/24S	24	24	451
HG300490-18P/36S	18	36	451
HG300490-12P/48S	12	48	451
HG300490-6P/60S	6	60	451
HG300490-72S	-	72	451
HG300490-42P	42	-	505
HG300490-36P/12S	36	12	505
HG300490-30P/24S	30	24	505
HG300490-24P/36S	24	36	505
HG300490-18P/48S	18	48	505
HG300490-12P/60S	12	60	505
HG300490-6P/72S	6	72	505
HG300490-84S	-	84	505
HG300490-48P	48	-	559
HG300490-42P/12S	42	12	559
HG300490-36P/24S	36	24	559
HG300490-30P/36S	30	36	559
HG300490-24P/48S	24	48	559
HG300490-18P/60S	18	60	559
HG300490-12P/72S	12	72	559
HG300490-6P/84S	6	84	559
HG300490-96S	-	96	559

HG400632 Series

HG400632 series with through hole 400mm, OD632mm, suitable for rotating application which requires a through hole ≤ 400 mm
 Standard model supports 1-48 power rings(0-20A/ring) or 1-96 signal rings(0~5A/ring)



Drawing for Outline Dimension



Model List

Model	Power Ring (10A/15A/20A)	Signal Ring(5A)	Length L(mm)
HG400632-6P	6	-	200
HG400632-12S	-	12	200
HG400632-12P	12	-	254
HG400632-6P/12S	6	12	254
HG400632-24S	-	24	254
HG400632-18P	18	-	308
HG400632-12P/12S	12	12	308
HG400632-6P/24S	6	24	308
HG400632-36S	-	36	308
HG400632-24P	24	-	359
HG400632-18P/12S	18	12	359
HG400632-12P/24S	12	24	359
HG400632-6P/36S	6	36	359
HG400632-48S	-	48	359
HG400632-30P	30	-	413

HG400632-24P/12S	24	12	413
HG400632-18P/24S	18	24	413
HG400632-12P/36S	12	36	413
HG400632-6P/48S	6	48	413
HG400632-60S	-	60	413
HG400632-36P	36	-	467
HG400632-30P/12S	30	12	467
HG400632-24P/24S	24	24	467
HG400632-18P/36S	18	36	467
HG400632-12P/48S	12	48	467
HG400632-6P/60S	6	60	467
HG400632-72S	-	72	467
HG400632-42P	42	-	521
HG400632-36P/12S	36	12	521
HG400632-30P/24S	30	24	521
HG400632-24P/36S	24	36	521
HG400632-18P/48S	18	48	521
HG400632-12P/60S	12	60	521
HG400632-6P/72S	6	72	521
HG400632-84S	-	84	521
HG400632-48P	48	-	575
HG400632-42P/12S	42	12	575
HG400632-36P/24S	36	24	575
HG400632-30P/36S	30	36	575
HG400632-24P/48S	24	48	575
HG400632-18P/60S	18	60	575
HG400632-12P/72S	12	72	575
HG400632-6P/84S	6	84	575
HG400632-96S	-	96	575